

JA33 Installation Kit INST-JA33

Contents:

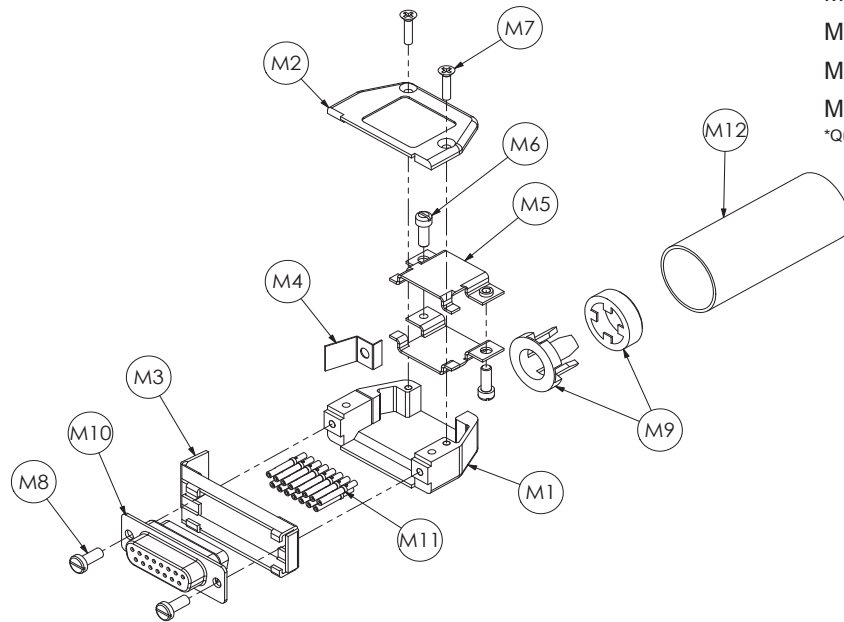
| JAC P/N | DESCRIPTION | QTY |
|---------------|--------------------|-----|
| CON-3420-0015 | CONNECTOR ASSEMBLY | 1 |
| CON-5500-0375 | TAG RING | 1 |
| WIR-HTSK-0750 | HEATSHRINK TUBING | 1 |

- Slide Heat-shrink tubing (M12) and Tag Ring (M9) over wiring harness.
- Strip outer jacket of shielded conductors approximately 3" from connector end.
- Extract conductors through shield at the 3" mark.
- Flatten and face shields pigtails away from connector end.
- Strip and crimp Pins (M11) to wires.
- Insert Pins (M11) into Connector (M10).
- Insert Spring (M4) into Body (M1).
- Place Lock-arm (M3) over Connector (M10) and secure to Body (M1) with Screws (M8).
- Place Clamp (M5) around wire harness and secure with screws (M6).
- Place Clamp (M5) partially into Body (M1) and secure with Hood (M2) and Screws (M7).
- Position Tag-Ring body (M9) on the connector side of the pigtails and Tag Ring nut after the pigtails.
- Distribute pigtails uniformly into the Tag Ring (M9) slots. If necessary, double back pig-tails to achieve uniform shield thickness between adjacent slots.
- Tighten Tag-Ring nut securely. Leave pigtails approximately 1" long to facilitate repairs.
- Flatten pigtails against the Tag Ring body and tie behind the nut.
- Slide Heat-Shrink (M12) over the Tag Ring and shrink in place.

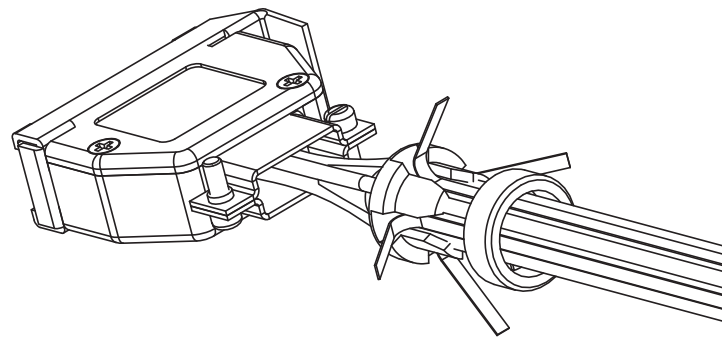
| Standard D-Sub Crimp Tool Chart | | | |
|---------------------------------|--------------------|-------------|--------------------------|
| TOOL TYPE | HAND CRIMPING TOOL | POSITIONER | INSERTION/EXTRACTOR TOOL |
| POSITRONIC | 9507-0-0-0 | 9502-5-0-0 | 4711-2-0-0 |
| DANIELS | AFM 8 | K13-1 | 91067-2 |
| MIL-SPEC | M22520/2-01 | M22520/2-08 | M81969/1-02 |

| ITEM NO. | DESCRIPTION | QTY* |
|----------|-------------------|------|
| M1 | BODY | 1 |
| M2 | HOOD | 1 |
| M3 | LOCKARM | 1 |
| M4 | SPRING | 1 |
| M5 | CLAMP | 2 |
| M6 | CLAMP SCREW | 2 |
| M7 | FLATHEAD SCREW | 2 |
| M8 | PANHEAD SCREW | 2 |
| M9 | TAG RING | 1 |
| M10 | CONNECTOR | 1 |
| M11 | PINS | 15 |
| M12 | HEATSHRINK TUBING | 2" |

*Quantities Per Cable



15 Pin Connector Assembly



Tag Ring Assembly