

JA94 Installation Kit INST-JA94

Contents:

JAC P/N	DESCRIPTION	QTY
CON-3460-0115	CONNECTOR ASSEMBLY	1
CON-3460-0137	CONNECTOR ASSEMBLY	1
CON-3460-0150	CONNECTOR ASSEMBLY	1
CON-5500-0625	TAG RING	2
CON-5275-0050	SLIDE LOCK	3
CON-5300-0150	50 PIN HOOD	1
CON-5300-0137	37 PIN HOOD	1
CON-5300-0115	15 PIN HOOD	1
CON-3320-2024M	SOCKET CONTACT	102
WIR-HTSK-1000	HEATSHRINK TUBING x 2"	2

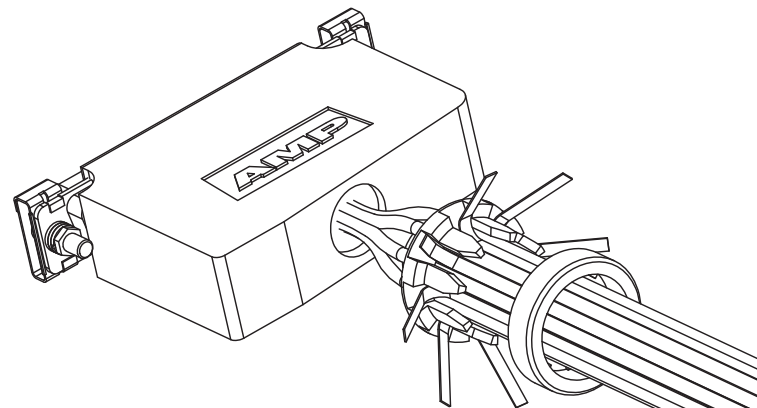
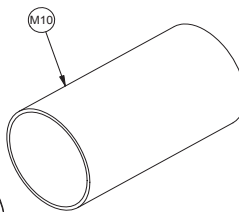
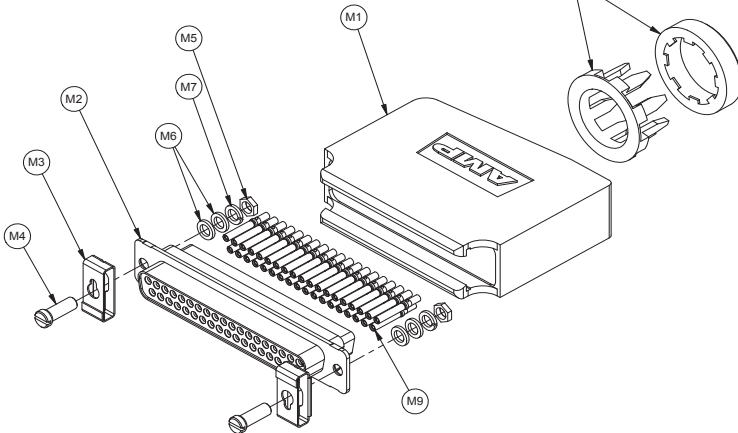
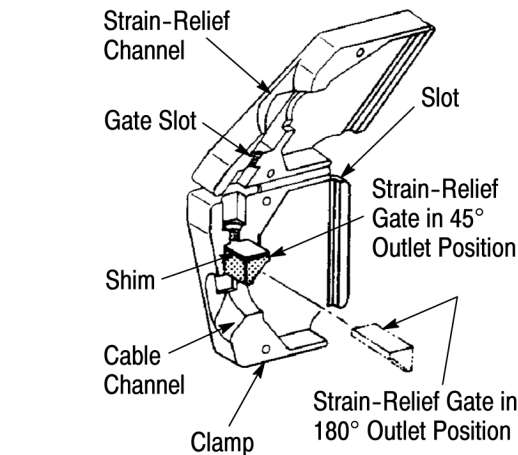
- Slide Heat-shrink tubing (M10) and Tag Ring (M8) over wiring harness.
- Strip outer jacket of shielded conductors approximately 3" from connector end.
- Extract conductors through shield at the 3" mark.
- Flatten and face shields pigtails away from connector end.
- Strip and crimp Pins (M9) to wires.
- Insert Pins (M9) into Connector (M2).
- Place Body (M1) around wire harness and secure with screws.
- Position Tag-Ring body (M8) on the connector side of the pigtails and Tag Ring nut after the pigtails.
- Distribute pigtails uniformly into the Tag Ring (M8) slots. If necessary, double back pig-tails to achieve uniform shield thickness between adjacent slots.
- Tighten Tag-Ring nut securely. Leave pigtails approximately 1" long to facilitate repairs.
- Flatten pigtails against the Tag Ring body.
- Slide Heat-Shrink (M10) over the Tag Ring and shrink in place.
- Secure M3 to M2 with M4, M6, M7 AND M5.

Standard D-Sub Crimp Tool Chart

TOOL TYPE	HAND CRIMPING TOOL	POSITIONER	INSERTION/EXTRACTOR TOOL
POSITRONIC	9507-0-0-0	9502-5-0-0	4711-2-0-0
DANIELS	AFM 8	K13-1	91067-2
MIL-SPEC	M22520/2-01	M22520/2-08	M81969/1-02

ITEM NO.	DESCRIPTION	QTY*
M1	BODY	1
M2	CONNECTOR	1
M3	CLIP	2
M4	SCREW	2
M5	NUT	2
M6	FLAT WASHER	4
M7	LOCK WASHER	2
M8	TAG RING	1
M9	PINS	15 to 50
M10	HEATSHRINK TUBING	2"

*Quantities Per Cable



15, 37 and 50 Pin Connector Assembly

Tag Ring Assembly