



JA23-001 Cabin Speaker Amplifier

Data Sheet



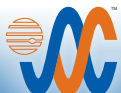
Description

The JA23-001 is a remote mount speaker amplifier with an external volume control which allows the crew to monitor receive audio in the aircraft cabin.

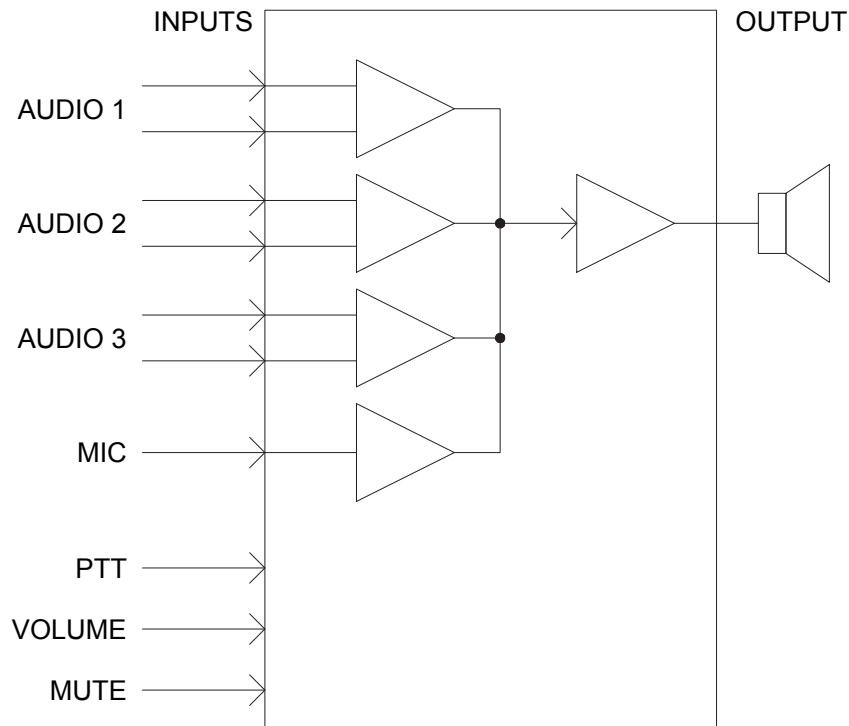
Three differential audio inputs allow mixing of audio before being routing to output port. A separate single ended microphone input with mic bias allows direct connection to legacy audio panels.

Features

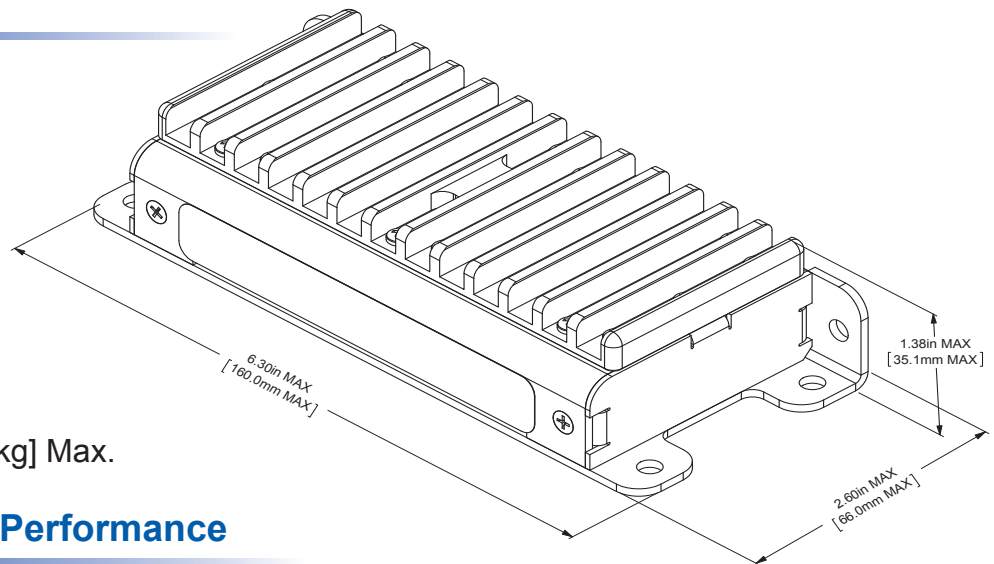
- Single speaker output with up to 10 Watts of audio power.
- Supports common speaker impedances of 3.2 Ohms, 4 Ohms, 8 Ohms and greater.
- Three differential audio inputs are provided with allowable input levels from 1Vrms to 2.5Vrms.
- One microphone input with bias voltage.
- 30 dB of adjustable output
- Supports both speaker mute and Push-to-talk functions.



JA23-001 Block Diagram



JA23-001 Specifications Installation



Weight: 0.68 lb. [0.31 kg] Max.

Environment and Performance

Electrical Power	28 Vdc @ 1.0 A typical
Operating Temperature	-45 °C to +70 °C
Survival Temperature	-55 °C to +85 °C
Altitude	50,000 ft. max
Shock, Crash Safety	6g, 20g for 11ms
TSO Compliance	Contact JAC for TSO status
Installation Kit	INST-JA23