



## JA23-030 Speaker Amplifier - 30 Watt Data Sheet



### Description

The JA23-030 is a 30 Watt remote mount speaker amplifier with remote and external volume control functions and is suitable for cabin PA systems.

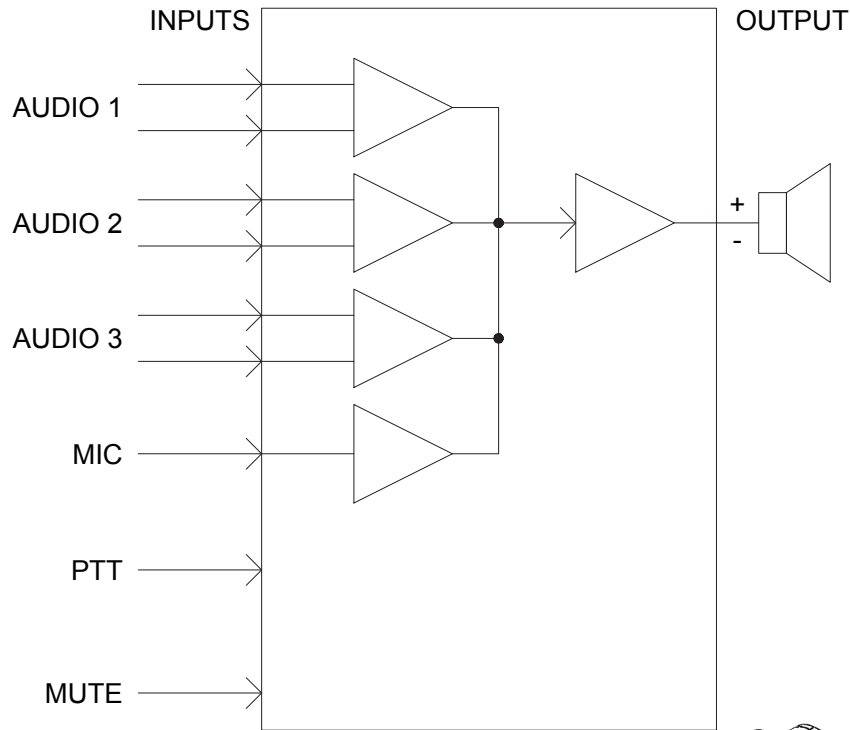
Three differential audio inputs allow the mixing of audio signals before being routed to the loudspeaker output port. A separate single ended microphone input with mic. bias allows direct connection to the aircraft audio system.

### Features

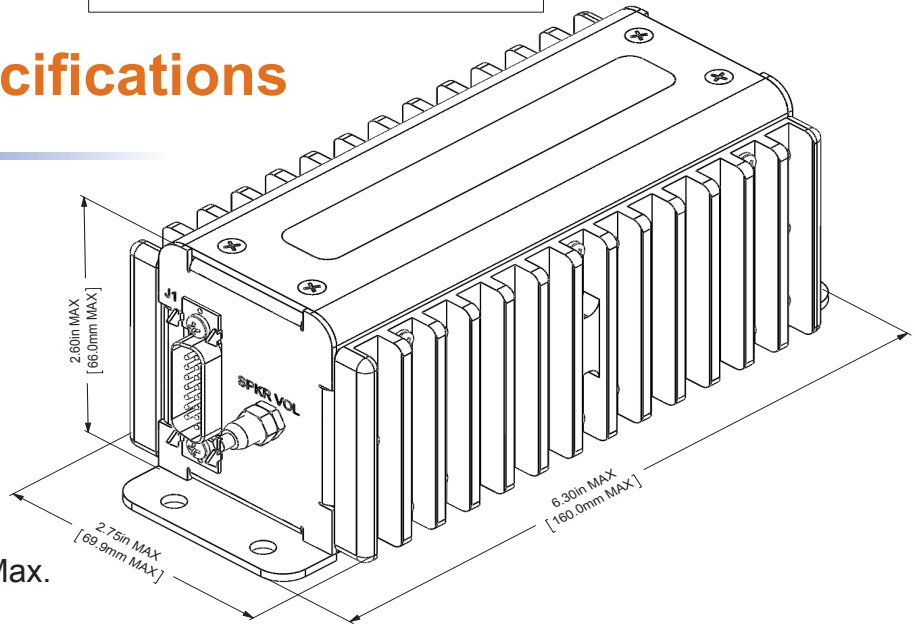
- Single speaker output with up to 30 Watts of audio power
- Supports common network loudspeaker impedances of 4 Ohms and higher
- Three differential audio inputs are provided with allowable input levels from 1Vrms to 2.5Vrms
- One microphone input with bias voltage
- All four inputs are summed to a common output
- 30dB of adjustable output
- Supports both loudspeaker mute and push-to-talk functions



# JA23-030 Block Diagram



## JA23-030 Specifications Installation



Weight: TBD lb. [TBD kg] Max.

## Environment and Performance

Electrical Power	28 Vdc @ 1.0 A typical
Operating Temperature	-45 °C to +70 °C
Survival Temperature	-55 °C to +85 °C
Altitude	55,000 ft. max
Shock, Crash Safety	6g, 20g for 11ms
TSO Compliance	Contact JAC for TSO status
Installation Kit	INST-JA23