



## JA33-001 Bluetooth Transceiver Data Sheet



### Description

The JA33-001 Adapter has three distinct functions :

1. To allow the aircraft audio management system to receive high quality stereo audio from a Bluetooth® enabled device.
2. To provide a full duplex Bluetooth interface with a cell phone or other mobile device.
3. To act as a Bluetooth to RS-232 interface. This allows a Bluetooth enabled device to interact with an RS-232 device connected to the JA33-001.

A configuration port is provided so that all internal settings may be quickly adjusted using Jupiter's proprietary ProCS software.

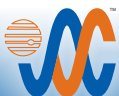
The JA33-001 contains a Bluetooth Audio Module and is a Bluetooth class 3 device with a <10 meters operating range.

The JA33-001 is a Bluetooth 3.0 compliant device with the following supported profiles:

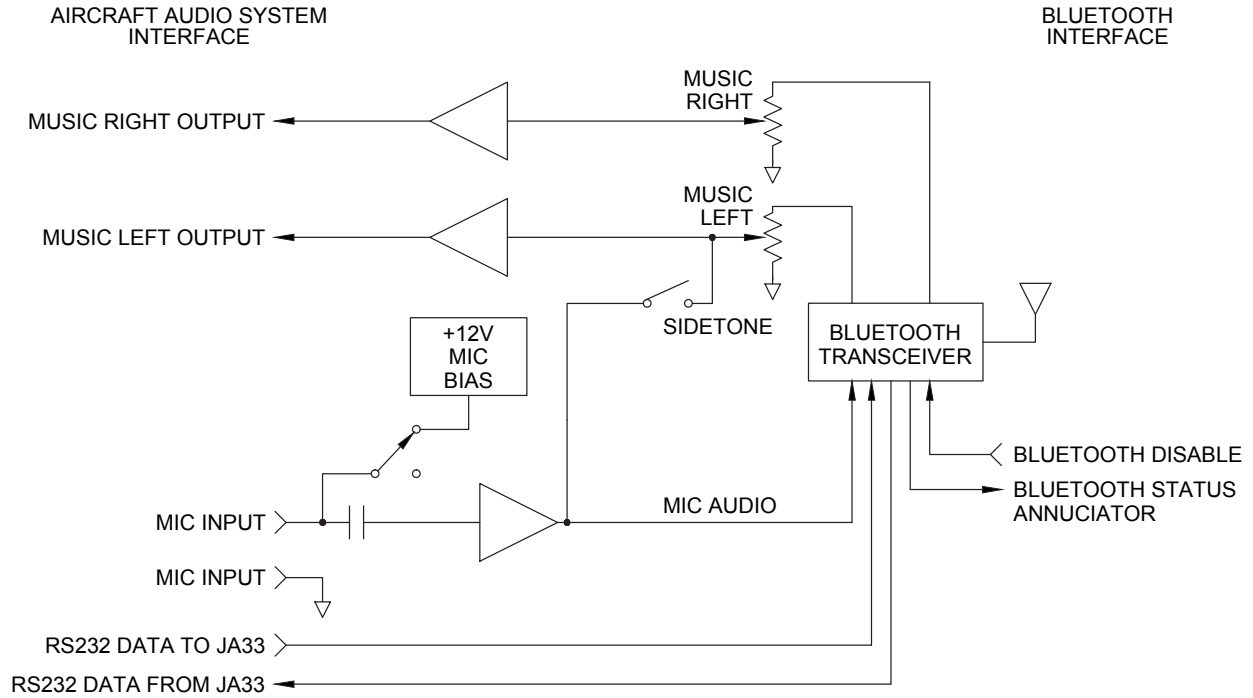
- SPP (Serial Port Profile)
- A2DP (Advanced Audio Distribution Profile)
- HFP (Hands Free Profile)

### Features

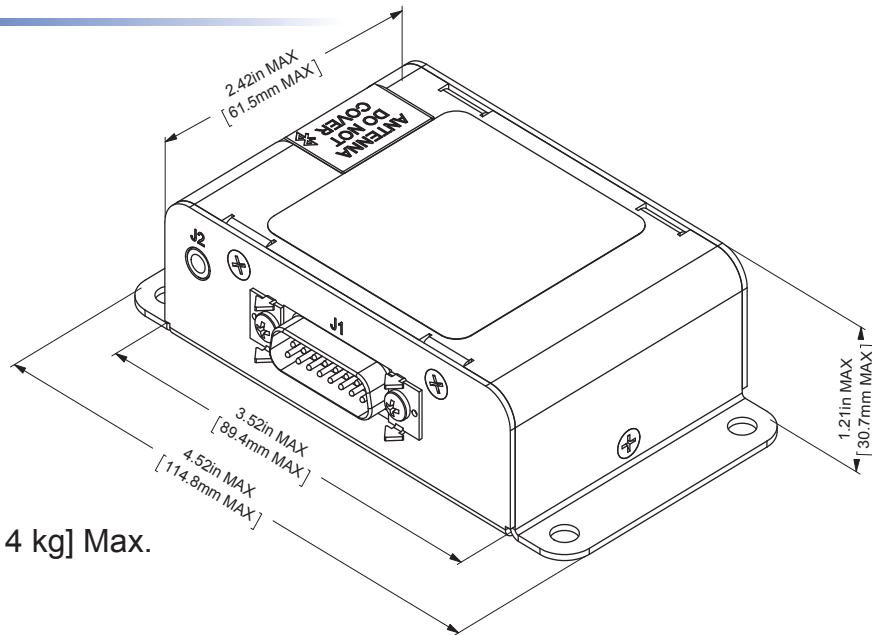
- Field configurable settings
- Use an aircraft headset as a cell phone headset using Bluetooth hands-free connectivity
- Audio outputs are floating and balanced



# JA33-001 Block Diagram



## JA33-001 Specifications Installation



Weight: 0.31 lb. [0.14 kg] Max.

## Environment and Performance

Electrical Power	28 Vdc @ 0.5A Max
TSO Compliance	Contact JAC for TSO status
Installation Kit	INST-JA33