



## JA35-100 Audio Summing Amplifier - Remote Mount

### Data Sheet



### Description

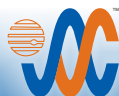
The JA35-100 is a remote mount audio summing amplifier with up to six audio inputs that may be prioritized. By using a Windows™ based application (ProCS™), these inputs may be configured as two groups of three inputs with a separate output for each group or as six inputs with one or two outputs. Each of these groups may be configured to have sequential input priorities within the individual group.

Additionally, the audio inputs and outputs are fully adjustable and Emergency Mode Operation allows two inputs to be directly connected to two outputs.

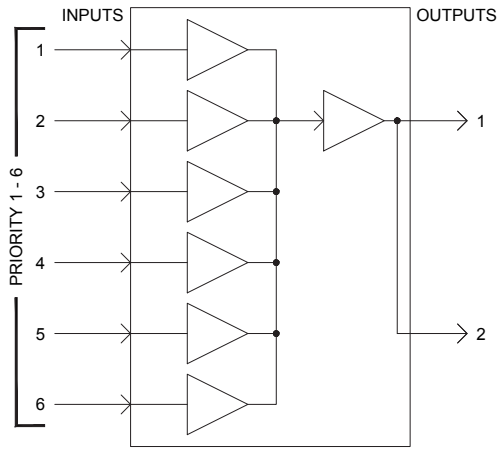
The configuration settings internal to the JA35-100 may be changed using the ProCS™ configuration software, even after installation in the aircraft.

### Features

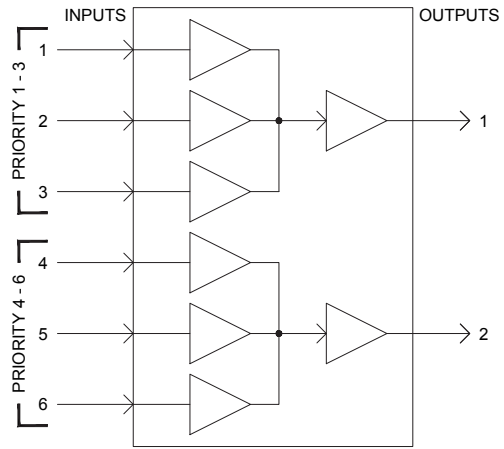
- Prioritized inputs
- Normal and Emergency operation modes
- Field configurable settings
- Different composite output combinations
- Input signals adjustable from 1Vrms to 10Vrms
- Differential audio inputs for high noise rejection
- Adjustable output levels from 0 dB (7.75 Vrms) to -30 dB



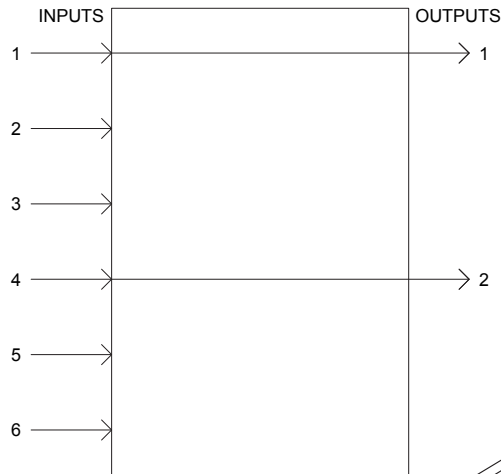
## Normal Mode, One Group



## Normal Mode, Two Groups

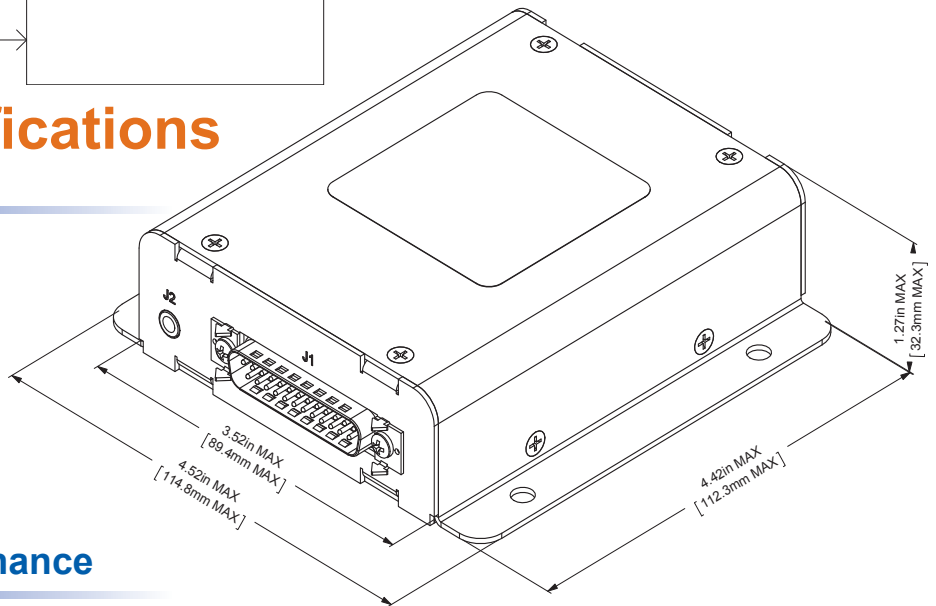


## Emergency Mode, Both Groups



# JA35-100 Specifications

## Installation



Weight: 1.00 lb. [0.45 kg] Max.

## Environment and Performance

Electrical Power	22 Vdc @ 1.0 A Max
Operating Temperature	-40 C to +70 C
Survival Temperature	-55 C to +85 C
Altitude	50,000 ft. max
Humidity	95%, 48 hrs
Shock	20g (any axis)
TSO Compliance	CAN CAN-TSO C139 (Pending)
Installation Kit	INST-JA35



Printed in Canada