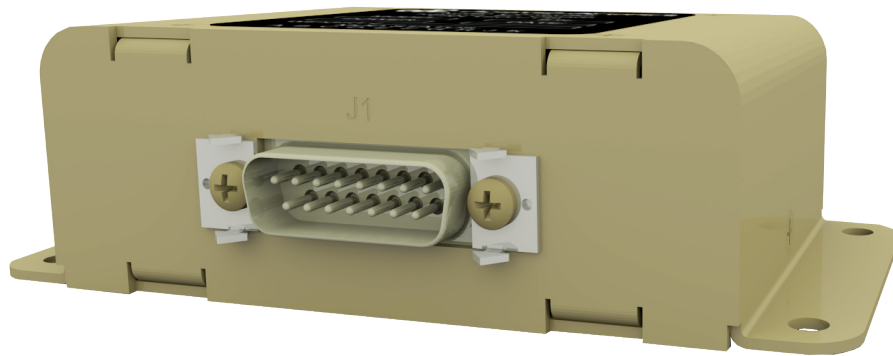




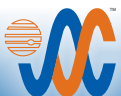
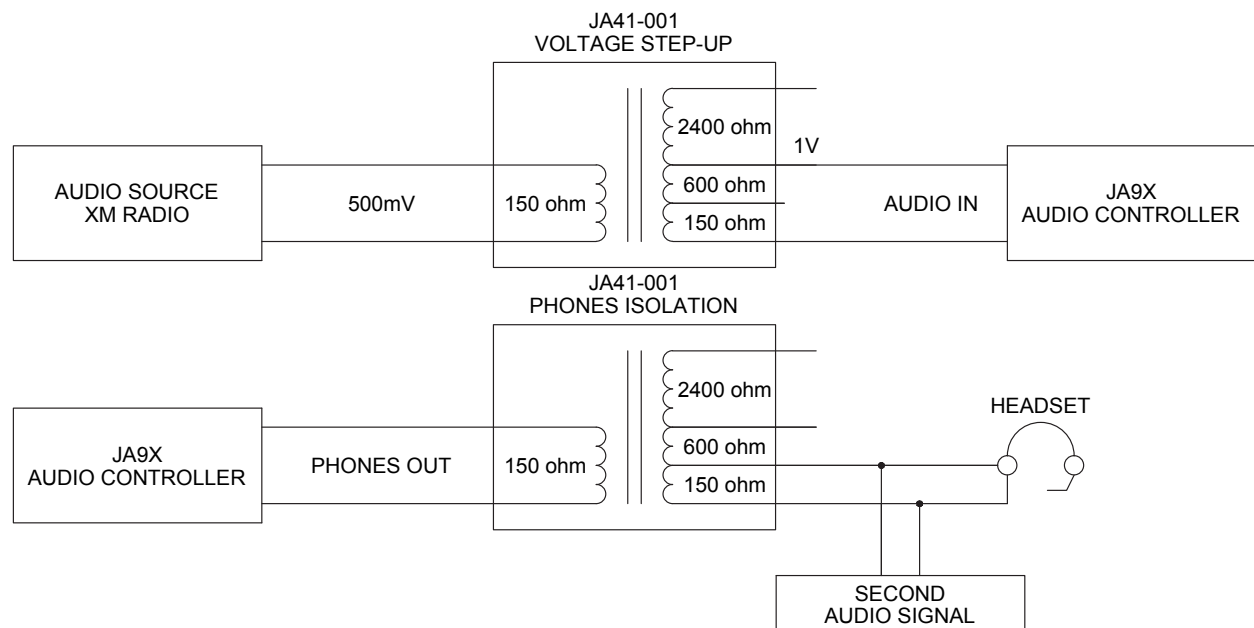
JA41-001 Receive Audio Isolation Transformer Data Sheet



Description

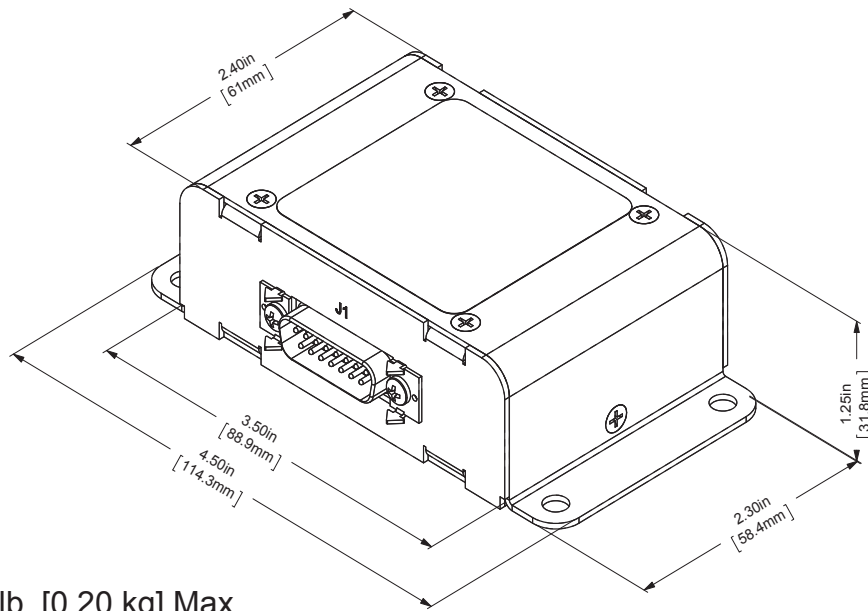
The JA41-001 Receive Audio Isolation Transformer contains dual audio transformers, enabling isolation and voltage / impedance matching between separate audio devices.

Typical Application

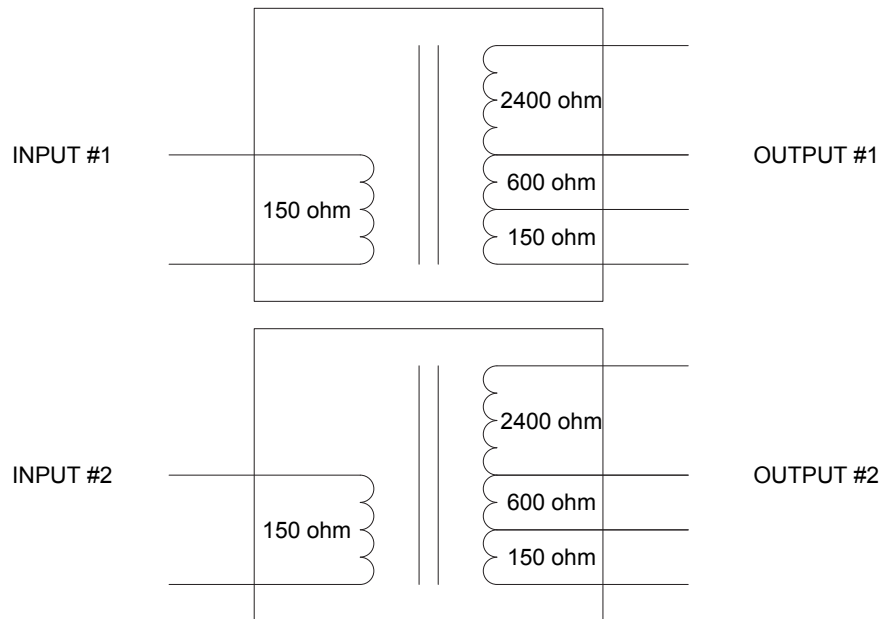


JA41-001 Specifications

Installation



Weight: 0.44 lb. [0.20 kg] Max.



Environment and Performance

Operating Temperature	-40 C to +70 C
Survival Temperature	-55 C to +85 C
Altitude	50,000 ft. max
Humidity	95%, 48 hrs
Shock	20g (any axis)
Installation Kit	INST-JA41