



JA44-001 High Impedance Headset to Low Impedance Intercom Adapter

Data Sheet



JA44-001

The JA44-001 High Impedance Headset to Low Impedance Intercom Adapter provides a battery driven microphone bias voltage and phone transformers to allow a high impedance headset to interface with a low impedance intercom system.

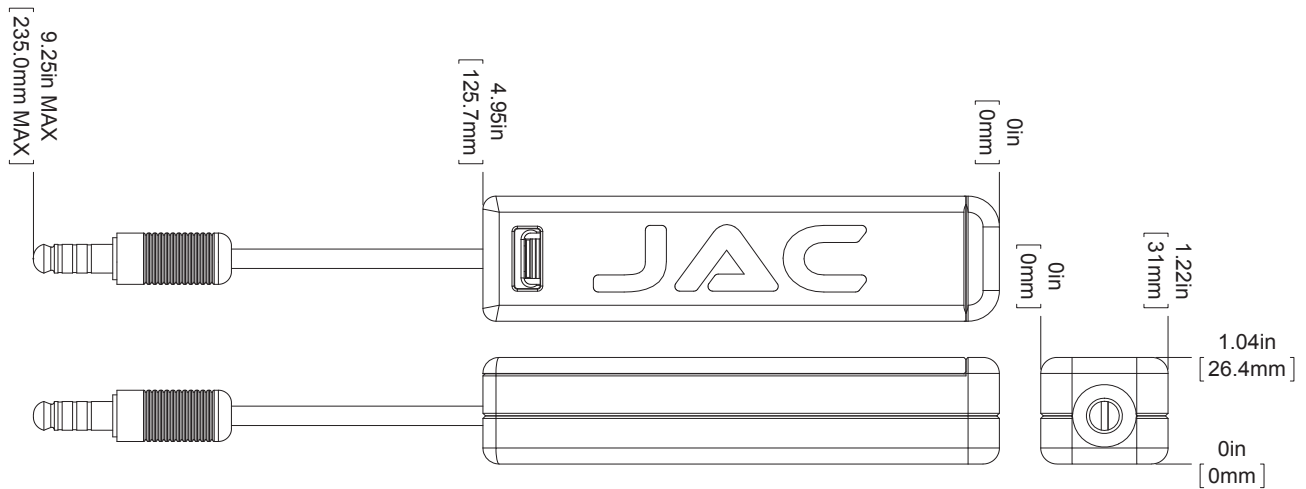
Features

The JA44-001 High Impedance Headset to Low Impedance Intercom Adapter:

- features an industry standard headset pin-out to allow plug and play operation.
- plugs in-line between the User's headset cord and the aircraft intercom system headset connector.
- supports a single control to adjust microphone level to intercom system.
- supports automatic on / off power function when user plugs / unplugs headset from unit.

JA44-001 Specifications

Dimensions



Weight: 0.32 lbs [0.15 Kg] MAX. with batteries

Environment and Performance

Operational Temperature	-20 to +50 °C
Humidity	95%
Altitude	25,000 ft. MAX
Shock	20g (any axis)
Mic Input	Equivalent to 150 Ohm Amplified Dynamic Mic (250 mVrms)
Mic Output	Equivalent to 5 Ohm Dynamic Mic (250 uVrms)
Phone Input	8 Ohm (0.9 Vrms) 100mW
Phone Output	150 Ohm (4.4 Vrms) 125mW
Power	9V Battery