



## JA70-x12 Thirteen Dzus Glove Box

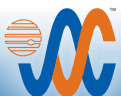
### Data Sheet



### JA70-x12 Dzus Rail Glove Box

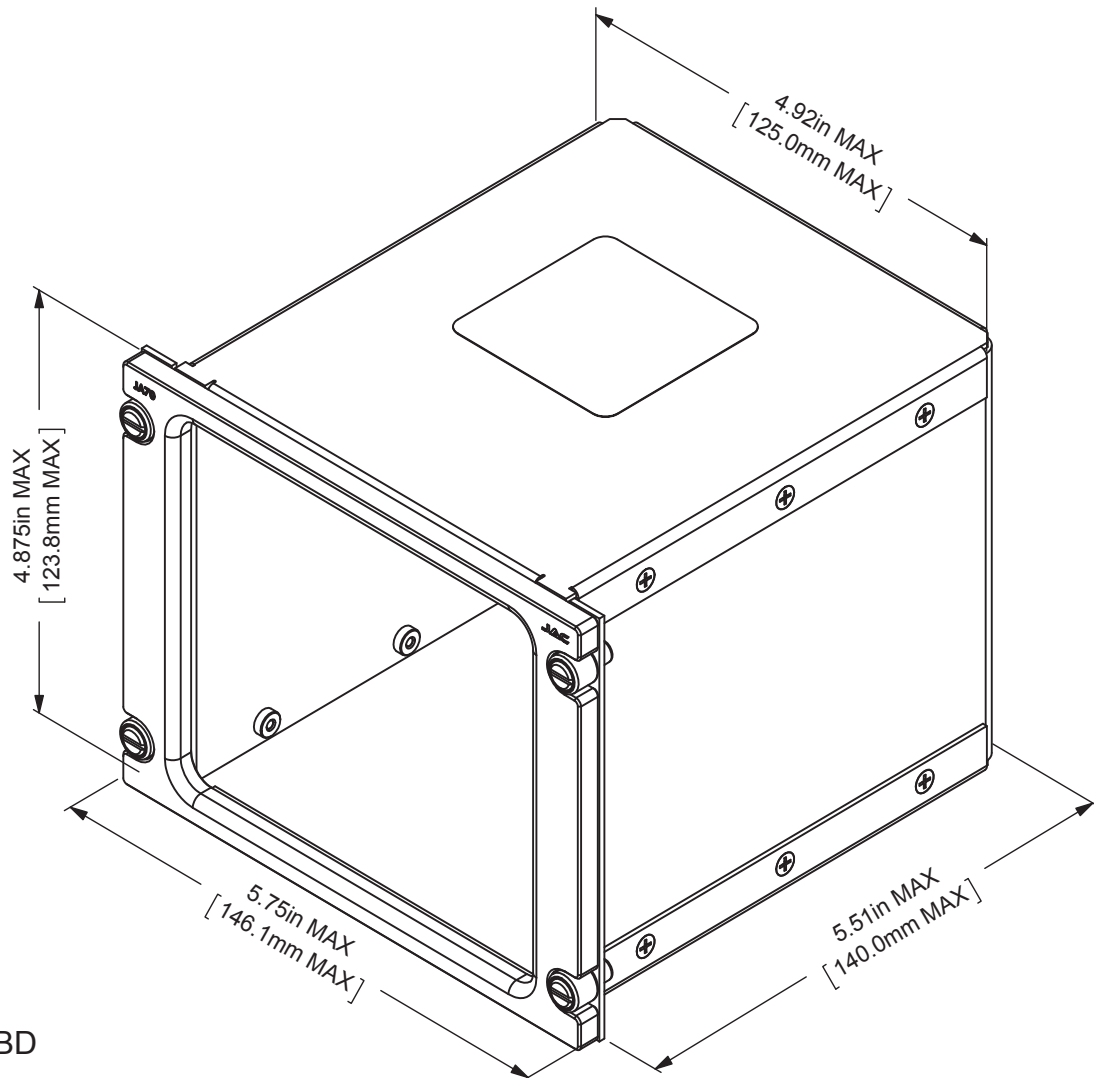
Make better use of empty panel space and reduce clutter with the JA70-x12 Glove Box.

JAC glove boxes provide convenient temporary storage locations for your phone, keys, etc.



# JA70-x12 Specifications

## Installation



Weight: TBD

x options: 0 = Black FED-STD-37038  
1 = Gray FED-STD-36231

## Environment and Performance

Storage Capacity	1 lb. [450 g]
------------------	---------------