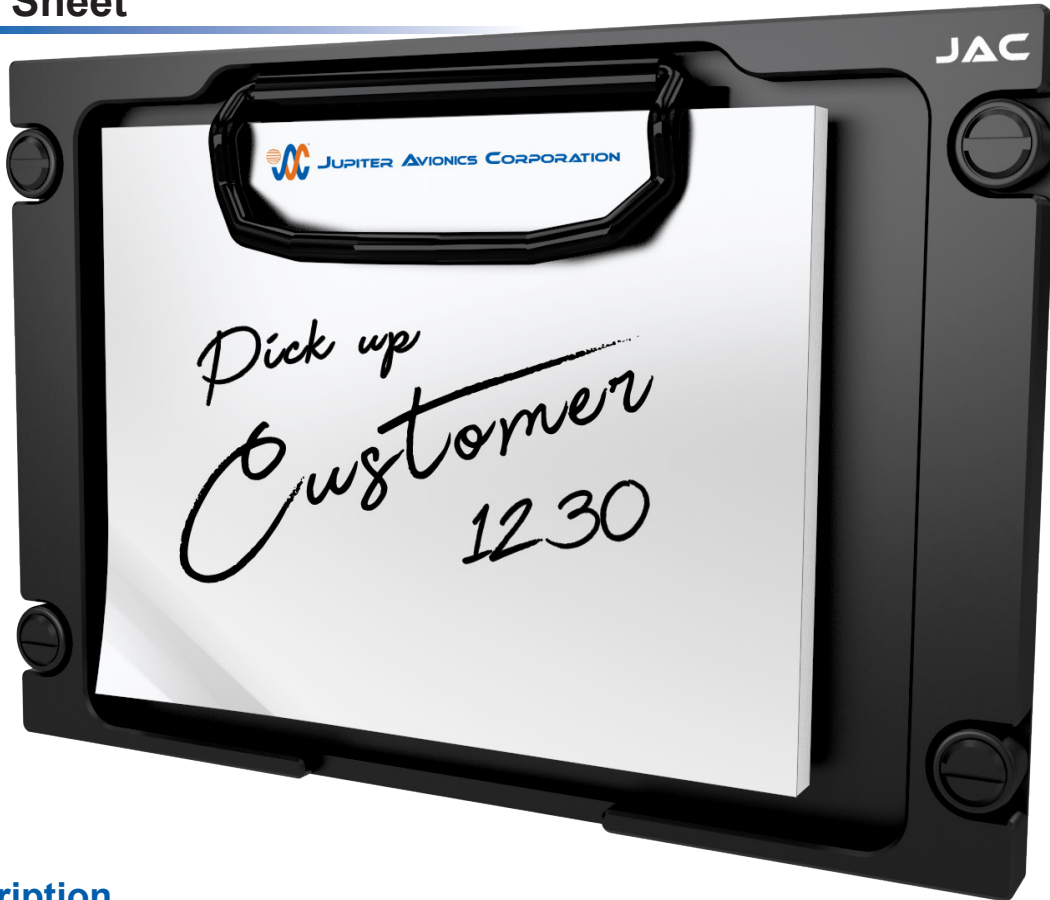




JUPITER AVIONICS CORPORATION

JA71-Cx10 Clip Plate Data Sheet

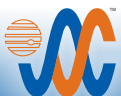


Description

The JA71-Cx10 Clip Plate allows the user to make quick notes during flight on a conveniently located paper notepad. Easily refilled or removed with the high torque spring clip. The matching design and colour to existing control heads present a professional look and feel to the instrument panel.

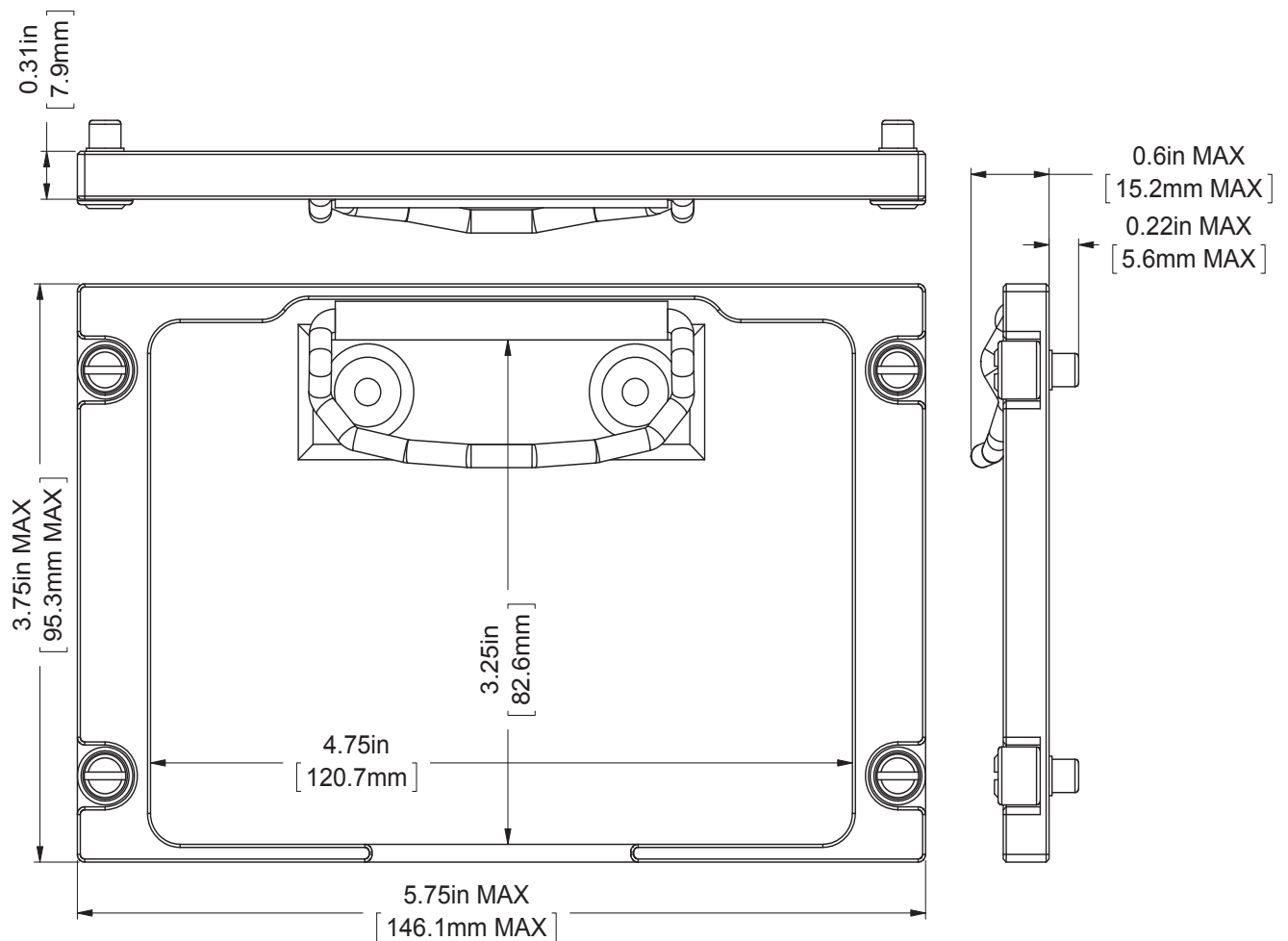
Features

The JA71-Cx10 is painted with a baked-on flat black (or gray) urethane finish to resist scratches and nicks. Uses standard 4" x 3" note pads.



JA71-Cx10 Specifications

Installation



Dimensions per MIL-STD-MS25212

x options: 0 = Black FED-STD-37038
1 = Gray FED-STD-36231