



JA95-043 Audio Controller

Data Sheet

**PIN for PIN
Compatible with
AMS43!**

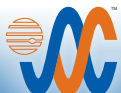


Description

The JA95-043 audio controller is a compact, lightweight unit that incorporates the latest technology, and is fully compatible with the current industry standard interconnect. The unit will support 6 users: pilot, co-pilot and 4 passengers. By using a Windows® based application (ProCS™), configuration settings may be changed via a 3.5mm jack on the front panel. Field replaceable illuminated legends mean that the dealer only needs to order one version of the controller for many different mission configurations.

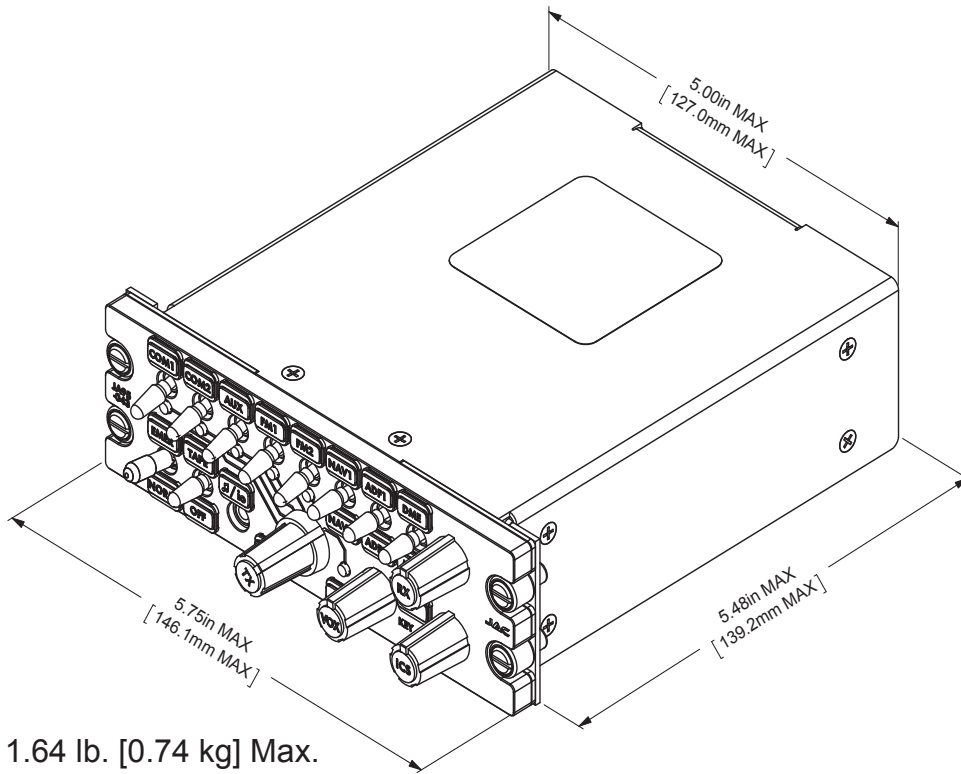
Features

- 6 users
- Field configurable settings
- Field replaceable legends
- Stuck microphone time-out
- Adjustable output and input levels
- Balanced ICS, & transmit mic. outputs
- Configurable audio alert messages
- Front panel music input
- 5, 14 and 28 Vdc lighting voltage selection
- Music muting
- Duplex mode transmission for telephone operation
- 5.48 inches [139mm] depth behind panel (not including connectors)
- Individual mic. gating
- Tx capability for pilot, co-pilot
- Transmit select annunciators
- Connector pin compatible with industry standard



JA95-043 Specifications

Installation



Environment and Performance

Transceivers		5 Comm. transceivers plus PA System
Receiver Input		6 Receivers + 2 Direct, 2 Music Inputs, 1 ICS Tie
Number of Headsets		6 users: Pilot, Co-pilot, 4 passengers
Electrical	Power	14 to 28 Vdc @ (1.4 to 0.7A) max
	Lighting	<10mA @ 5, 14, 28 Vdc
Temperature	Operational	-45 °C to +70 °C
	Survival	-55 °C to +85 °C
Altitude		50,000 ft. max
Humidity		95%
Shock		6g (any axis)
Headphone		100 mW into 600 ohms
TSO Compliance		FAA TSO C139 & TC CAN-TSO C139
DO-160F Env. Cat.		[(C4)(D1)(A1)X]BAB[(SBM)(U2FF1)]XXXXXXZ[(ZXX)(BXX)]AZ[ZC][RR]H[A3J33] XXXX
Installation Kit		INST-95043