



JA95-R04 ICS / Headset Expander Data Sheet

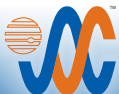


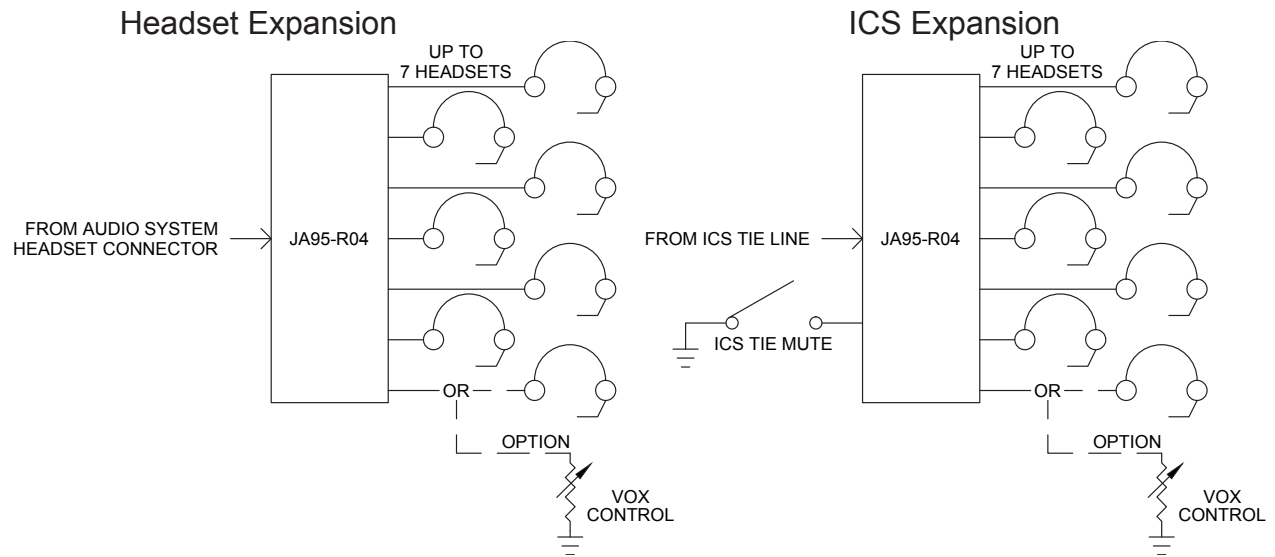
Description

The JA95-R04 audio controller is a compact, lightweight unit that incorporates the latest technology. The unit will expand one headset position to four headsets or will connect 7 headsets to an ICS TIE line. By using a Windows® based application (ProCS™), configuration settings may be changed via a 3.5mm jack, even after installation in the aircraft.

Features

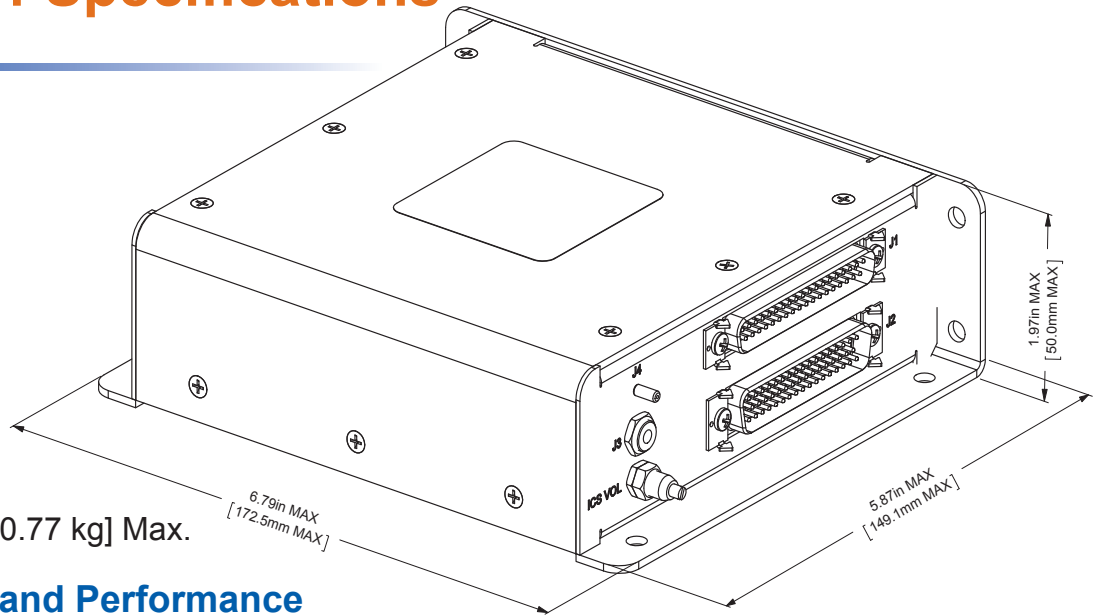
- Up to 7 users
- Field configurable settings
- Stuck microphone time-out
- Adjustable TX mic output and receive input levels
- Balanced ICS, microphone output
- Music muting
- Individual microphone gating
- ICS PTT & TX PTT capability for 4 users
- Direct Audio Input
- External VOX Control
- ICS TIE Mute





JA95-R04 Specifications

Installation



Weight: 1.68 lb. [0.77 kg] Max.

Environment and Performance

ICS TIE		340 mV with up to 3 ICS TIE loads 1.2 V with up to 7 ICS TIE loads 2.5 Vrms into 600 Ohms
Transceivers or Headset Expansion		1 Transceiver or 1 headset
Receiver Input		1 Receiver + 1 Direct, 2 Music Inputs
Number of Headsets		up to 7 users
Electrical	Power	14 or 28 Vdc @ (1.4 to 0.7A) max
Temperature	Operational Survival	-45 °C to +70 °C -55 °C to +85 °C
Altitude		50,000 ft. max
Humidity		95%
Shock		6g (any axis)
Headphone		100 mW into 600 ohms
TSO Compliance		FAA TSO C139 & TC CAN-TSO C139
DO-160F Env. Cat.		[(C4)(D1)(A1)X]BAB[(SBM)(U2FF1)]XXXXXXZ[(ZXX)(BXX)]AZ[ZC][RR]H[A3J33] XXXX
Installation Kit		INST-95R04



Printed in Canada