



## JA95-R12 Audio Summing Amplifier - 12 Channel

### Data Sheet



### Description

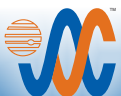
The JA95-R12 is a remote mount audio summing amplifier with up to twelve audio inputs.

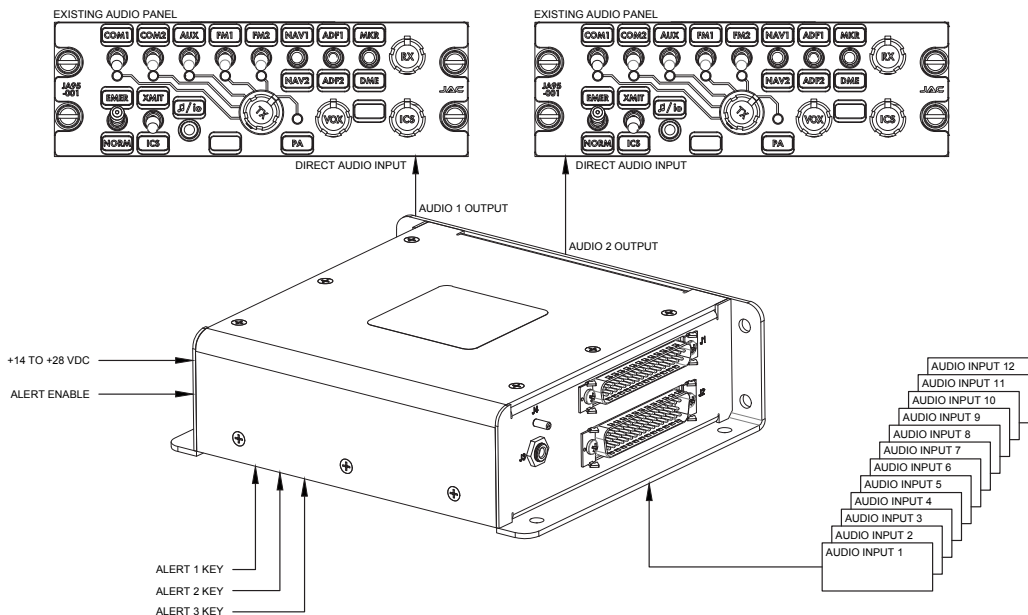
The audio inputs are fully adjustable.

The configuration settings internal to the JA95-R12 may be changed using the ProCS™ configuration software, even after installation in the aircraft.

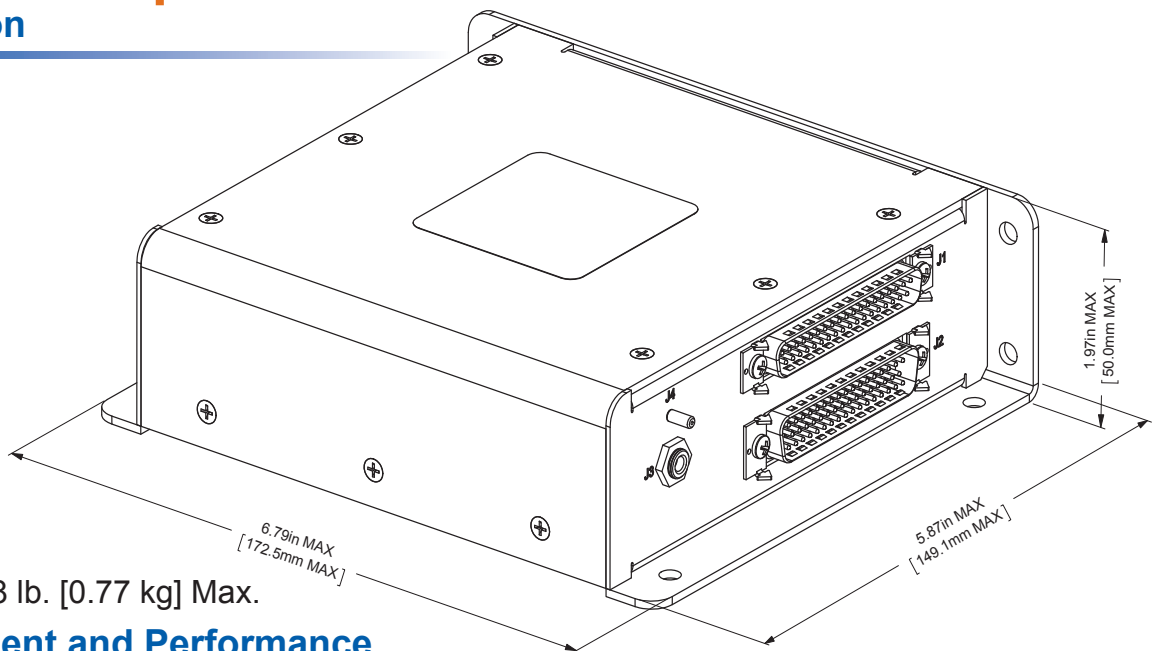
### Features

- Field configurable settings
- 12 Input signals adjustable from 1 Vrms to 10 Vrms
- Differential audio inputs for high noise rejection





## JA95-R12 Specifications Installation



Weight: 1.68 lb. [0.77 kg] Max.

## Environment and Performance

Audio Inputs		12
Electrical	Power	14 or 28 Vdc @ (1.4 to 0.7A) max
Temperature	Operational	-45 °C to +70 °C
	Survival	-55 °C to +85 °C
Altitude		50,000 ft. max
Humidity		95%
Shock		6g (any axis)
Audio Output		7.75 Vrms into 600 ohms
TSO Compliance		TC CAN-TSO-C139
DO-160F Env. Cat.		[(C4)(D1)(A1)X]BAB[(SBM)(U2FF1)]XXXXXXXXZ[(ZXX)(BXX)]AZ[ZC][RR]H[A3J33] XXXX
Installation Kit		INST-JA95