



JRAC-002 Remote Audio Controller

Data Sheet

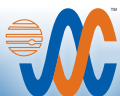


Description

The JRAC-002 Remote Audio Controller is remote-mounted and relies upon a serial data bus from either a Cockpit Display System or a Jupiter JCP series panel for control and display of audio functions. The JRAC-001 Audio Controller is a compact, lightweight unit that incorporates the latest technology, and is compatible with the current industry standard interconnect. The unit supports 7 users: pilot, co-pilot and up to 5 passengers. By using a Windows® based application (ProCS™), configuration settings may be changed using a PC.

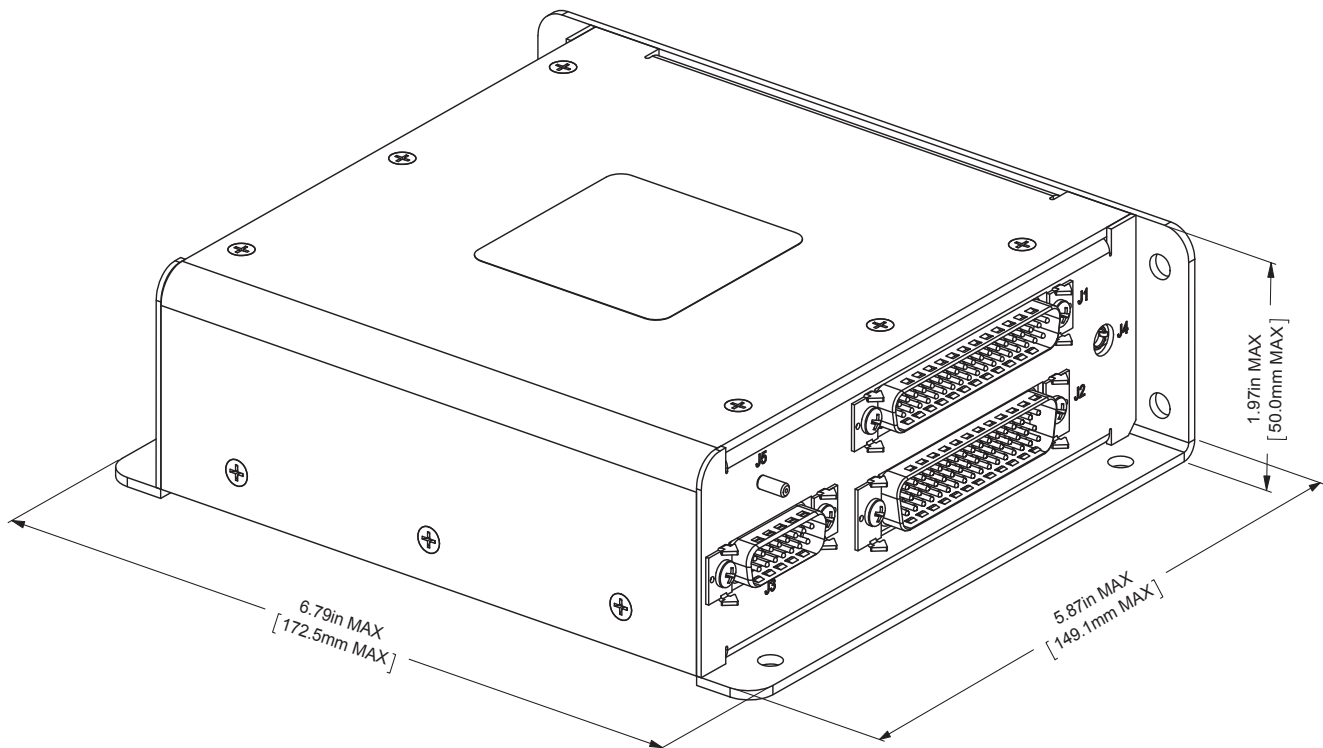
Features

- Up to 7 users
- Field configurable settings
- Stuck microphone time-out
- Adjustable output and input levels
- Balanced ICS, CVR, Rx Comp. & transmit mic. outputs
- Adjustable CVR output level
- Configurable audio alert messages
- Up to 6 COMM Transceivers
- Individual volume controls for transceivers
- Up to 5 Receivers
- Music muting
- Duplex mode transmission for telephone operation
- Individual mic. gating
- Tx capability for pilot & co-pilot
- Connector pin compatible with industry standard
- Selectable emergency radio
- Discrete COM1 & COM2 transmit select and PTT for pilot & co-pilot



JRAC-002 Specifications

Installation



Weight: 1.94 lbs. [0.88 kg] Max.

Environment and Performance

Transceivers	6 Comm. transceivers	
Receiver Input	4 Receivers + 1 Direct, 2 Music Inputs, 1 ICS Tie	
Number of Headsets	7 users: Pilot, Co-pilot, 5 passengers	
Electrical	Power	14 to 28 Vdc @ (1.4 to 0.7A) max
Temperature	Operational	-45 °C to +70 °C
	Survival	-55 °C to +85 °C
Altitude	55,000 ft. max	
Humidity	95%	
Shock	6g (any axis)	
Headphone	100 mW into 600 ohms	
TSO Compliance	Contact JAC for status	
Installation Kit	INST-JRAC	
Weight	1.94 lb (0.88 kg)	