



JRAC2-001 Dual Remote Audio Controller

Data Sheet



Description

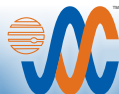
The JRAC2-001 Dual Audio Controller is remote-mounted and relies upon a serial data bus from a combination of Multi-Function Display Systems or Jupiter JCP Series Panels for control and display of audio functions. The JRAC2-001 Dual audio Controller is a compact, lightweight unit that also incorporates a 10 Watt Speaker Amplifier and a 3 Channel Aural Message Generator. The unit supports up to 8 users with 4 users having transmit capability. The JRAC2-001 Dual audio Controller can be configured to support either low impedance headsets (5 ohm mic and 8 ohm phones) or high impedance headsets (150 ohm amplified dynamic mic and 150 ohm phones). By using a Windows® based application (ProCS™), configuration settings may be changed using a PC, even when the unit is installed in the aircraft.

Other models of the JRAC2 are available:

- JRAC2-002 Base Model plus Speaker Amplifier
- JRAC2-003 Base Model plus Message Generator
- JRAC2-004 Base Model

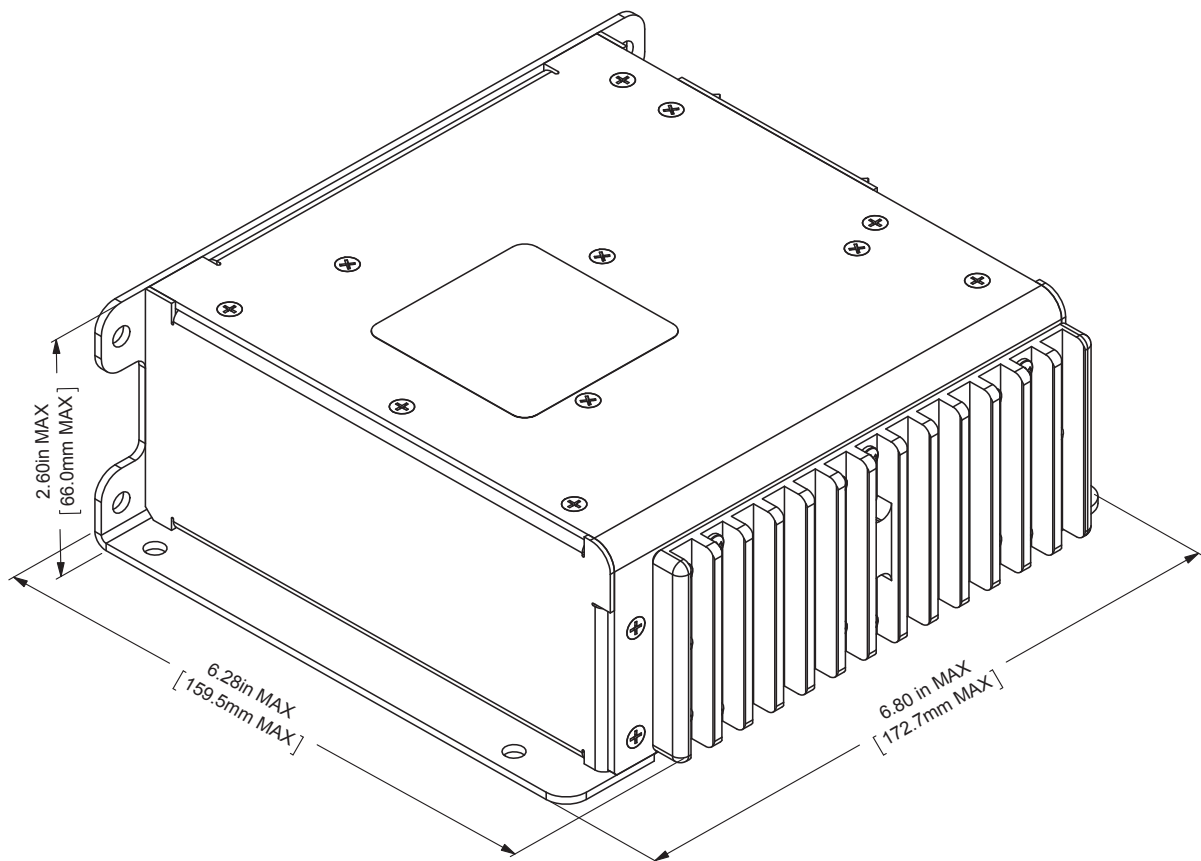
Features

- Up to 8 users
- Field configurable settings
- Adjustable input and output levels
- Balanced ICS, CVR, Rx Comp. & transmit mic. outputs
- Two adjustable CVR outputs
- Configurable audio alert messages
- Up to 10 COM Transceivers
- Individual volume controls for transceivers
- Up to 4 Receivers + 4 direct audio
- Music muting
- 4 Duplex mode transmission positions for telephone operation
- 10 W speaker output with volume control
- Individual mic. gating
- Tx capability for 4 users
- RX mute capability
- High or Low Headset impedance capable
- User1 / User2 ICS Isolate mode



JRAC2-001 Specifications

Installation



Weight: 2.85 lbs. [1.30 kg] Max.

Environment and Performance

Electrical Power		28 Vdc @ 1.5 A max
Temperature	Operational	-45 °C to +70 °C
	Survival	-55 °C to +85 °C
Altitude		50,000 ft. max
Humidity		95%
Shock		6g (any axis)
Headphone (High or low impedance)		250 mW into 600 ohms; 250 mW into 8 ohms
TSO Compliance		Contact JAC for TSO status
Installation Kit		INST-RAC21