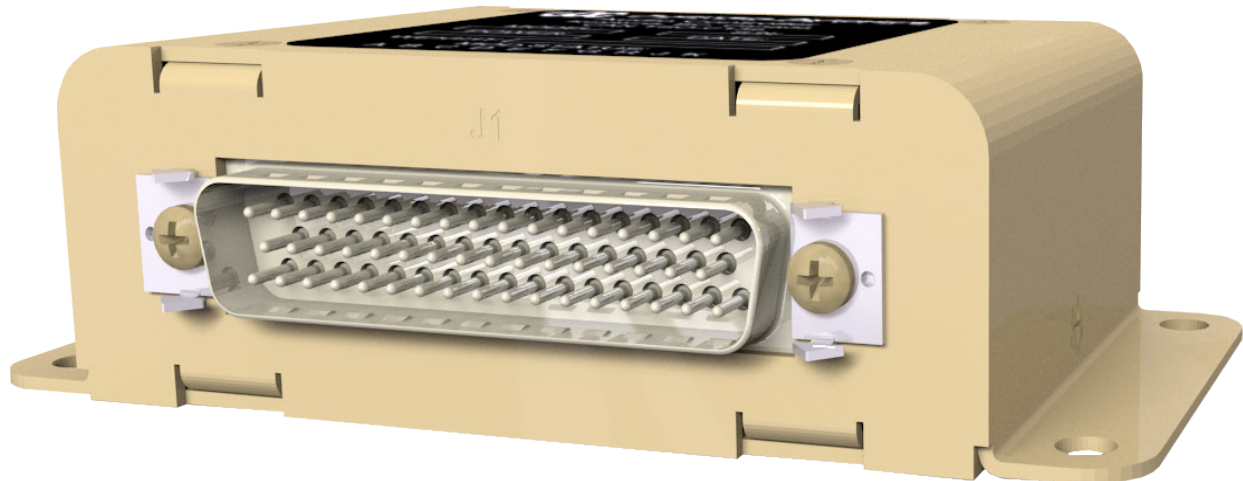




JRS12-001 Relay Switch - 12 Poles JRS14-001 Relay Switch - 14 Poles

Data Sheet

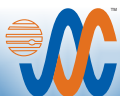


Description

The JRS12-001 / JRS14-001 Relay Switches are compact, high density, bulkhead mounted remote switching units designed to handle the switching requirements of navaid, audio or other interface applications. Both the JRS12 and JRS14 allow large numbers of data or audio lines to be transferred with a single control line. All relay switches have a contact rating of 1 amp / 30 vdc and are mechanical.

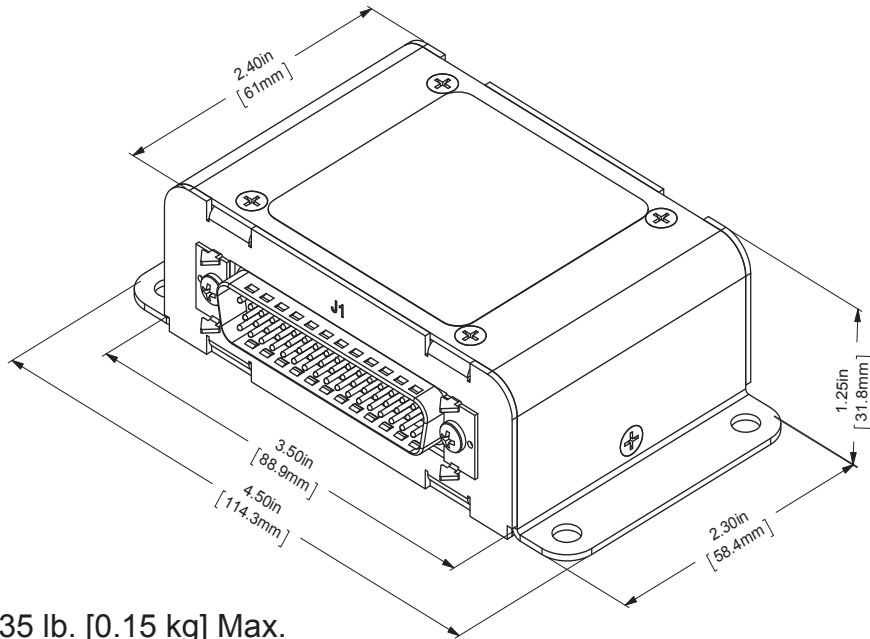
The JRS12 includes circuitry for flag load resistors and flag bias generators.

The JRS14 includes 2 extra poles of switching contacts and 1 flag bias generator.



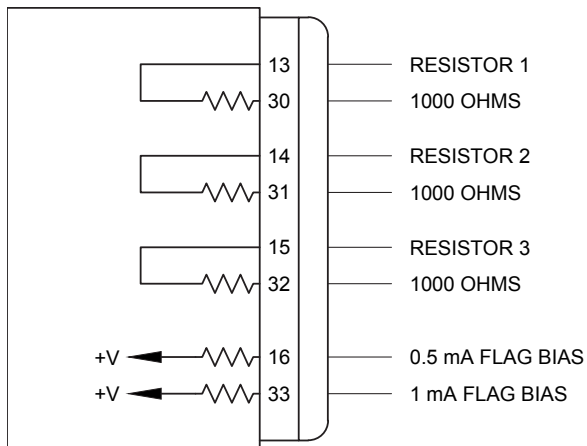
JRS12/JRS14 Specifications

Installation

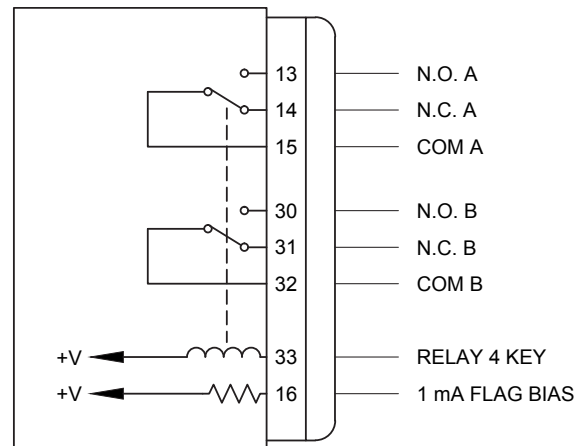


Weight: 0.35 lb. [0.15 kg] Max.

JRS12 Additional Circuitry



JRS14 Additional Circuitry



Installation Kit: INST-JRS12 / INST-JRS14