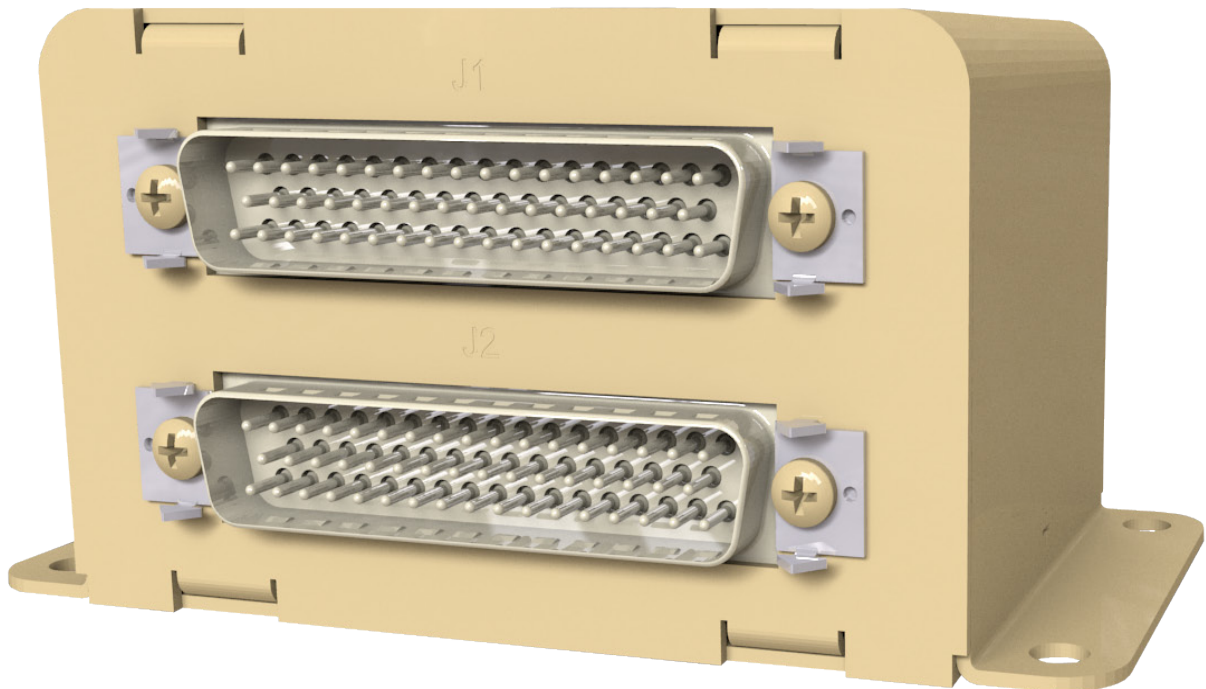




JRS24-001 Data Transfer Switch JRS28-001 Data Transfer Switch

Data Sheet

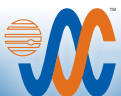


Description

The JRS24-001 / JRS28-001 Transfer Switches are compact, high density, bulkhead mounted remote switching units designed to handle the switching requirements of navaid, audio or other interface applications. Both the JRS24 and JRS28 allow large numbers of data or audio lines to be transferred with a single control line. All relay switches have a contact rating of 1 amp / 30 vdc.

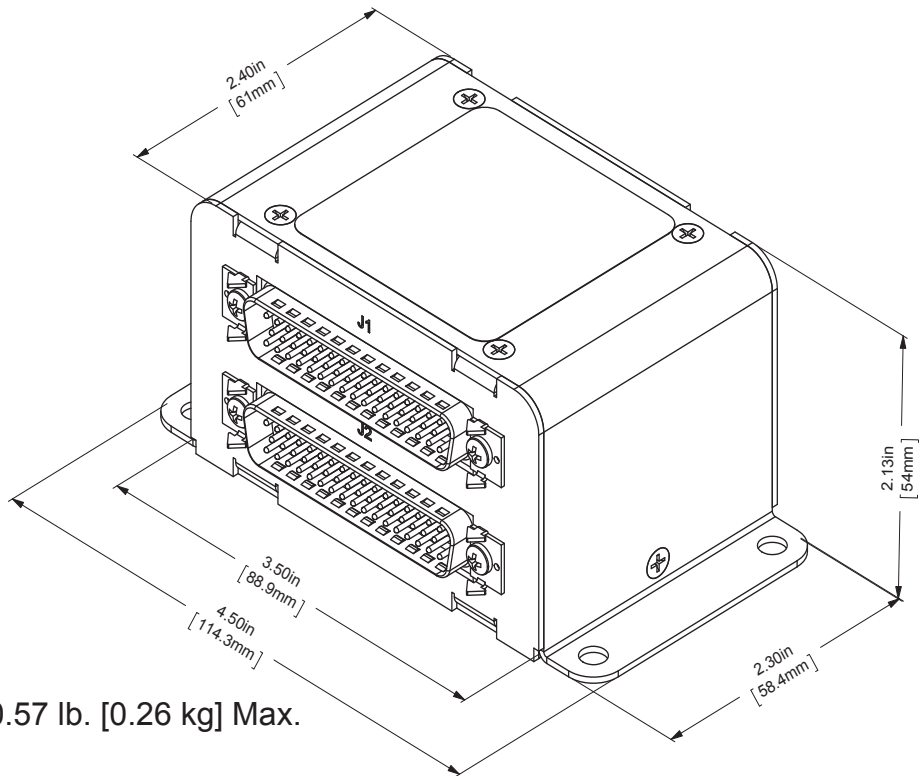
The JRS24 includes circuitry for flag load resistors and flag bias generators.

The JRS28 includes 4 extra poles of switching contacts and 2 flag bias generators.



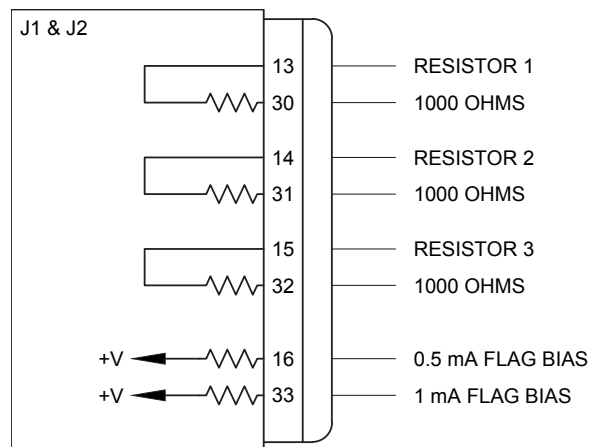
JRS24/JRS28 Specifications

Installation

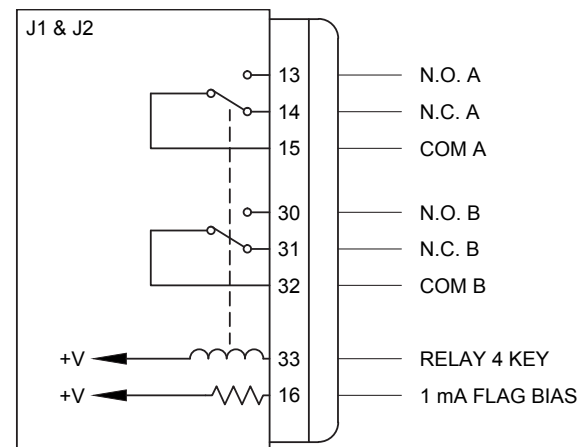


Weight: 0.57 lb. [0.26 kg] Max.

JRS24 Additional Circuitry



JRS28 Additional Circuitry



Installation Kit: INST-JRS24 / INST-JRS28