



wiJAC™-0xx Wireless Intercom System Data Sheet



Description

The wiJAC™ Wireless Aircraft Intercom System consists of two components which provide a wireless full-duplex audio link between the aircraft's intercom system and the user's headset. Adapters are available for different headset connector styles. The JA61 component plugs directly into the aircraft audio system via a standard headset jack and the JA60 component connects to a standard aircraft headset and attaches to the user's belt. Together the two separate components allow aircraft personnel free movement both inside and outside the aircraft. The headset adapter features only essential controls to ensure ease of operation. (VOX and Volume control knobs, and On/Off and PTT buttons)

The wiJAC™ system offers the user independence from traditional tethered audio systems without sacrificing audio quality.



Features

The wiJAC™ system is factory programmed with default settings that are suitable for most general aviation high impedance headsets. If it is necessary to modify the balanced phones/microphone input/output levels, this can be carried out by a JAC Dealer using JAC's proprietary ProCS™ software. A configuration port is provided to support this function.

A light on each unit indicates when the RF communication link is established, and a micro USB charging port is provided for connection to a USB charging source. Charging cables and rechargeable batteries are included with each system.

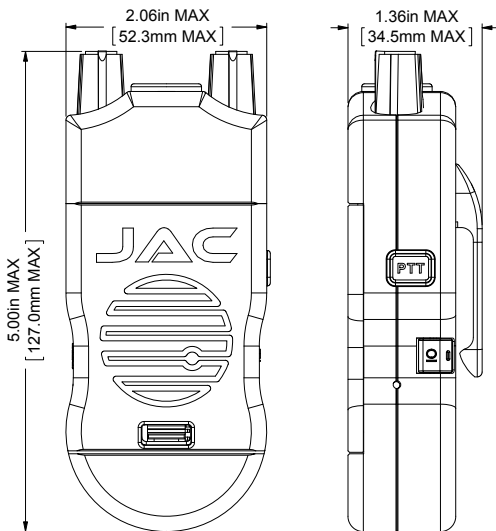
Multiple paired adapters can be co-located in the same aircraft without interference. An encrypted radio link ensures secure communications. The units are designed for NATO style aircraft connectors. A selection of adapter cables is available for use with other connector styles.

The wiJAC-001 system comprises of a JA60-001 and a JA61-001 and is for use in North America.

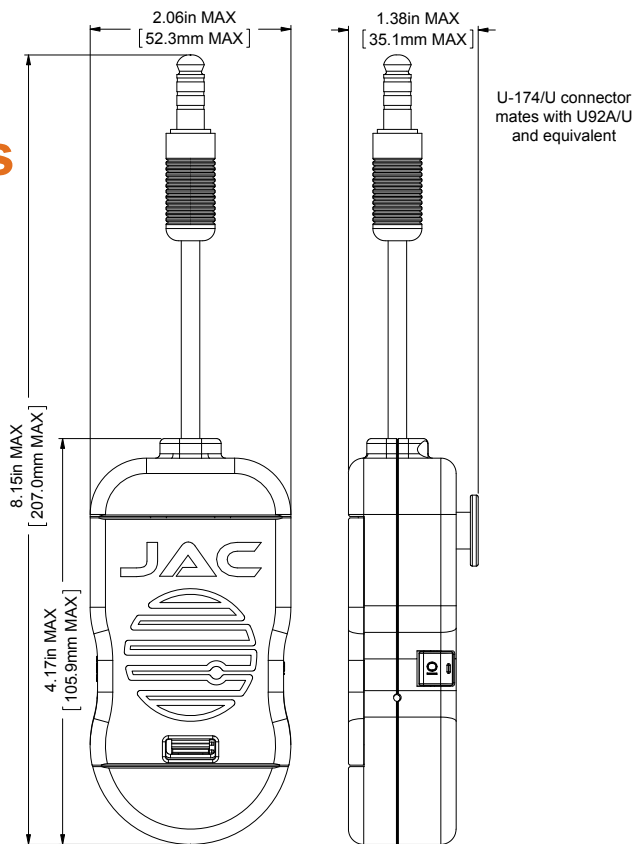
The wiJAC-002 system comprises of a JA60-002 and a JA61-002 and is for European use.

wiJAC™ Specifications Installation

U-92A/U type connector mates with U93A/U and equivalent



JA60 Wireless Aircraft Headset Adapter
Weight: 0.39 lb. 178 Kg Max



JA61 Wireless Aircraft Intercom Adapter
Weight: 0.33 lb. 0.149 Kg Max

Environment and Performance

Batteries	6 ea. AAA, (3 per unit)
Charging Electrical Power	+5 Vdc @ 200mA max (USB Power Source)
Temperature	-15 °C to +50 °C -40 °C to +50 °C
Altitude	25,000 ft. max
Humidity	95%
Microphone	150 Ohms amplified Dynamic

Vibration	Per DO160G Cat [(SBM)(U2FF1)]
Range wiJAC-001	100 m (typical)
Range wiJAC-002	200 m (typical)
Battery Life	6 to 8 hr (typical)
Shock	20g (any axis)
Headphone	100 mW into 150 Ohms