



wiJAC-Pxx Stand-Alone (*non-aircraft*) Wireless Intercom System Data Sheet



Description

The wiJAC-Pxx system is a Stand-Alone Wireless Intercom System for up to five users, and provides a wireless full-duplex, hands-free audio network. The components connect to standard aircraft headsets and attach to the users' belts, allowing operators free movement. Adapters are available for different headset connector styles and impedances.

Communications range is typically 100 meters (200 meters for European model). The system features only essential controls to ensure ease of operation. (VOX and Volume control knobs, and On/Off and PTT buttons)

The wiJAC-Pxx system is designed to operate independently, and does not use any aircraft audio connections.



Features

The wiJAC™ system is factory programmed with default settings that are suitable for most general (aviation-type) high impedance headsets. If it is necessary to modify the balanced phones/microphone input/output levels, this can be carried out by a JAC Dealer using JAC's proprietary ProCS™ software. A configuration port is provided to support this function.

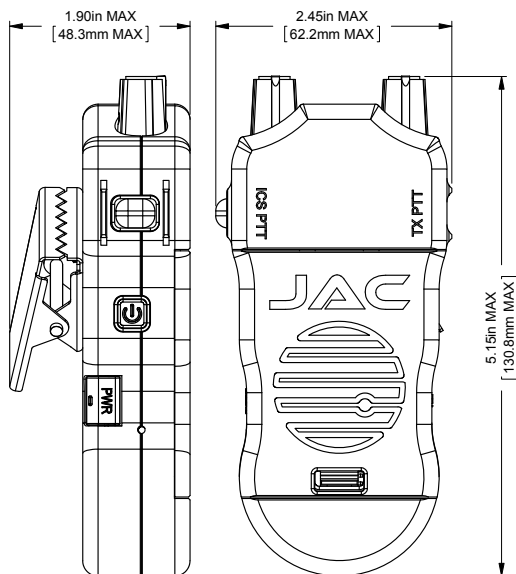
A light on each unit indicates when the RF communication link is established, and a micro USB charging port is provided for connection to a USB charging source. Charging cables and rechargeable batteries are included with each system.

Multiple systems can be co-located without interference. An encrypted radio link ensures secure communications. The units are designed for NATO style aircraft connectors. A selection of adapter cables is available for use with other connector styles.

The wiJAC-Px1 system comprises a JA65-001 and a number of JA64-001's and is for use in North America. The wiJAC-Px2 system comprises a JA65-002 and a number of JA64-002's and is for European use.

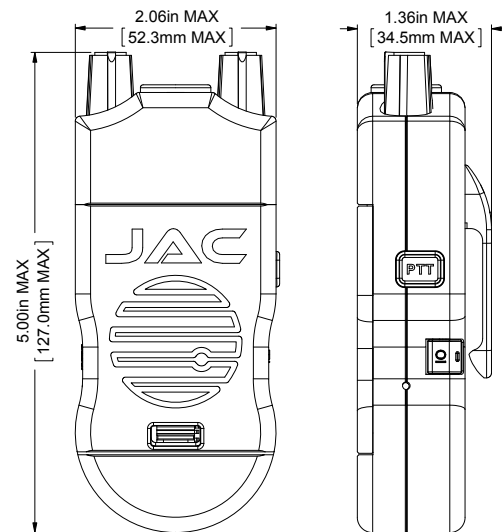
wiJAC™ -Pxx Specifications Installation

U-92A/U type connector mates with U93A/U and equivalent



JA65-00x Wireless Aircraft Headset Adapter
Weight: 0.46 lb. 0.209 Kg Max

U-92A/U type connector mates with U93A/U and equivalent



JA64-00x Wireless Aircraft Headset Adapter
Weight: 0.39 lb. 0.178 Kg Max

Environment and Performance

Batteries	AAA (3 per unit)
Charging Electrical Power	+5 Vdc @ 200mA max (USB Power Source)
Temperature	-15 °C to +50 °C -40 °C to +50 °C
Altitude	25,000 ft. max
Humidity	95%
Microphone	150 Ohms amplified Dynamic

Vibration	Per DO160G Cat [(SBM)(U2FF1)]
Range wiJAC-Px1	100 m (typical)
Range wiJAC-Px2	200 m (typical)
Battery Life	6 to 8 hr (typical)
Shock	20g (any axis)
Headphone	100 mW into 150 Ohms