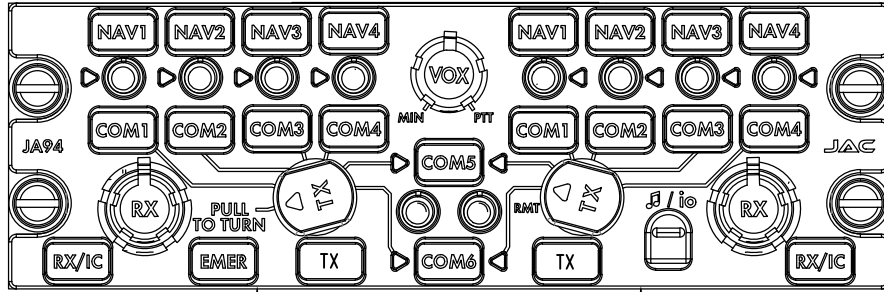


EXISTING AUDIO PANEL (JA94)



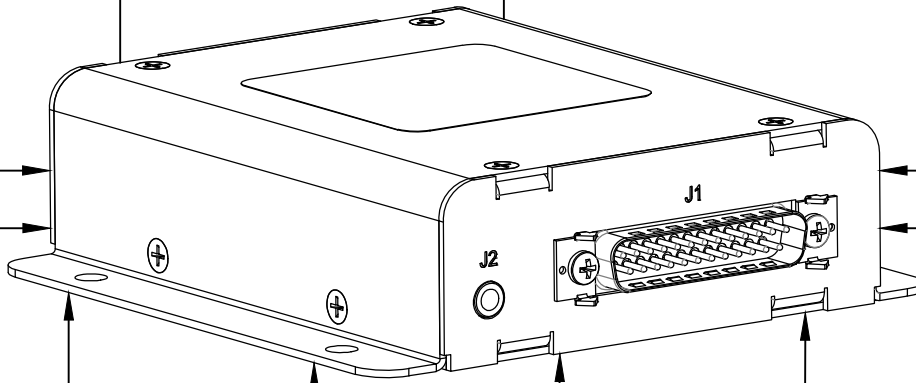
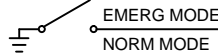
DIRECT AUDIO 1

DIRECT AUDIO 2

OUTPUT 1

OUTPUT 2

+28 VDC POWER



INPUT 1

INPUT 2

INPUT 3

INPUT 4

INPUT 5

INPUT 6

AUDIO SOURCE 1


AUDIO SOURCE 2

AUDIO SOURCE 3

AUDIO SOURCE 4

AUDIO SOURCE 5

AUDIO SOURCE 6

PREPARED	TAT			
CHECKED				
APPROVED		NCAGE CODE L00N3	PART NO. JA35-100	SHEET 1/1
CONFIDENTIAL & PROPRIETARY TO JUPITER AVIONICS CORP.		DOC NO. JA35-100 Equipment Block Diagram Rev A.dwg		