



JUPITER AVIONICS
CORPORATION

JA70-005
Five Dzus Glove Box



Installation Manual

Rev. A

Jupiter Avionics Corporation
1959 Kirschner Road
Kelowna BC
Canada V1Y 4N7
Tel: +1 778 478 2232
Toll-Free: 1 855 478 2232
www.jupiteravionics.com



Table of Contents

| | |
|---|-----------|
| SECTION 1 - DESCRIPTION | 1 |
| 1.1 System Overview | 1 |
| 1.2 Features Overview | 1 |
| 1.4 Specifications | 1 |
| 1.4.1 Mechanical Specifications | 1 |
| 1.4.2 Environmental Specifications | 1 |
| 1.4.3 Flammability of Materials | 1 |
| SECTION 2 – INSTALLATION | 2 |
| 2.1 Introduction | 2 |
| 2.2 Continued Airworthiness | 2 |
| 2.3 Unpacking and Inspecting Equipment | 2 |
| 2.3.1 Warranty | 2 |
| 2.4 Installation Procedures | 2 |
| 2.4.1 Mechanical Installation | 2 |
| 2.5 Installation Kit | 2 |
| 2.6 Installation Drawings | 2 |
| Appendix A - Installation Drawings | A1 |
| A1 Installation Drawings | A1 |

JA70-005 Five Dzus Glove Box

SECTION 1 - DESCRIPTION

1.1 System Overview

The JA70-005 Dzus Glove Box allows the aircraft owner/operator to utilise an unused portion of the instrument panel for temporary storage. The interior of the glove box has a soft, high friction finish to minimize noise and movement due to vibration.

1.2 Features Overview

The JA70 has a black anodized finish to resist scratches and nicks during use.

1.3 Specifications

1.3.1 Mechanical Specifications

Refer to [Mechanical Installation](#) drawing for all dimensions

| | |
|------------------------------|----------------------------------|
| Height | 1.875 in [47.62 mm] maximum |
| Depth behind panel | 3.45 in [87.6 mm] maximum |
| Depth of panel | 0.33 in [8.13 mm] maximum |
| Width | 5.75 in [146.1 mm] maximum |
| Weight | 0.52 lb [0.236 kg] maximum |
| Material | Black anodized 5052-H32 aluminum |
| Mounting | 4 Dzus fasteners |
| Load | 0.66 lb [0.30 kg] maximum |
| Installation kit part number | N/A |

1.3.2 Environmental Specifications

The JA70-005 Dzus Glove Box has been qualified to the environmental conditions listed below.

| | | |
|------------------------------------|-------|---|
| Operational Shock and Crash Safety | 7.0 | |
| Operational Shock | 7.2.1 | Equipment tested to DO-160G Cat. B (6 g for 11 ms) |
| Crash Safety (impulse) | 7.3.1 | Equipment tested to DO-160G Cat. B (20 g for 11 ms) |
| Crash Safety (sustained) | 7.3.3 | Equipment tested to DO-160G Cat. B (20 g for 3 sec) |
| Vibration | 8.0 | |
| Fixed Wing - Sine | 8.5.1 | Equipment tested to DO-160G Cat. SM |
| Fixed Wing - Random | 8.5.2 | Equipment tested to DO-160G Cat. SB |
| Helicopter - Random, unknown | 8.8.3 | Equipment tested to DO-160G Cat. U2FF1 |

1.3.3 Flammability of Materials

The JA70-005 complies with the requirements of RTCA/DO-160G Sec 26.3.3 Cat. C "Flammability", through equivalent flammability testing of materials.



JA70-005 Five Dzus Glove Box

SECTION 2 – INSTALLATION

2.1 Introduction

This section contains unpacking and inspection procedures, installation information, and post-installation checks.

2.2 Continued Airworthiness

Maintenance of the JA70-005 is on condition only. Scheduled inspection and/or periodic maintenance of this unit is not required.

2.3 Unpacking and Inspecting Equipment

Unpack the equipment carefully. Check for shipping damage and report any problems to the relevant carrier. Confirm that the Authorized Release Certificate or Certificate of Conformance is included. Complete the on-line warranty card from the Jupiter Avionics Corporation (JAC) website – www.jupiteravionics.com/warranty.

2.3.1 Warranty

All products manufactured by JAC are warranted to be free of defects in workmanship or performance for 2 years from the date of installation by an approved JAC dealer or agency. This warranty covers the cost of all materials and labour to repair or replace the unit, but does not include the cost of transporting the defective unit to and from JAC or its designated warranty repair centre, or of removing and replacing the defective unit in the aircraft. This warranty does not cover failures due to abuse, misuse, accident, or unauthorized alteration or repairs.

Contact JAC for return authorization, and for any questions regarding this warranty and how it applies to your unit(s). JAC is the final arbiter concerning warranty issues.

2.4 Installation Procedures

2.4.1 Mechanical Installation

The JA70-005 can be mounted in any attitude and location with adequate space.

2.5 Installation Kit

N/A

2.6 Installation Drawings

The drawings and documents required for Installation can be found in [Appendix A](#) of this manual.

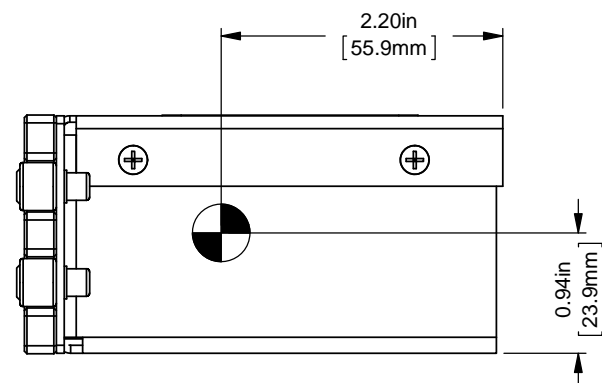
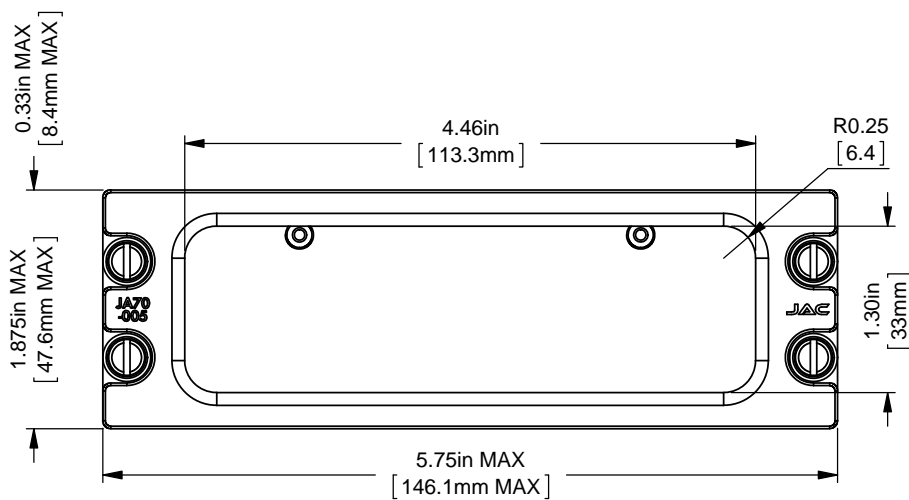
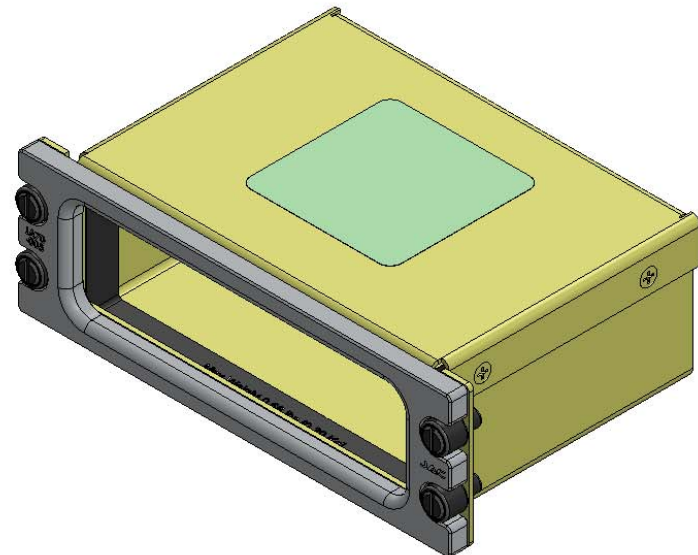
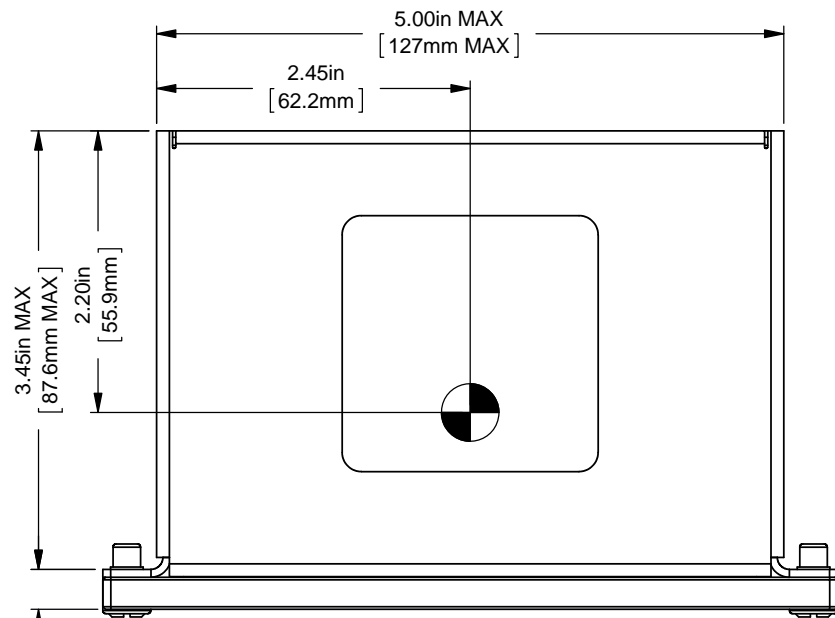



Installation Manual

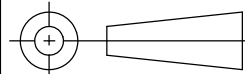
Appendix A - Installation Drawings

A1 Installation Drawings

| DOCUMENT | Rev |
|----------------------------------|------------|
| JA70-005 Mechanical Installation | B |



 CENTER OF GRAVITY
 $\pm 0.03\text{in [0.8mm]}$
 WEIGHT: 0.52 lbs [0.236 kg] MAX.

| | | |
|---|------------------------------|-----|
| UNLESS OTHERWISE SPECIFIED DIMENSIONS ARE IN INCHES ANGLES ARE IN DEGREES TOLERANCES: 1 DEC PLACE: ± 0.1 2 DEC PLACE: ± 0.01 3 DEC PLACE: ± 0.005 ANGLES: ± 0.5 DEG  | PREPARED | TAT |
| | CHECKED | |
| | APPROVED | |
| | MATERIAL: N/A FINISH: N/A | |
| CONFIDENTIAL & PROPRIETARY TO JUPITER AVIONICS CORP. DRAWING NOT TO SCALE | | |



| | | |
|---|----------|-------|
| TITLE | | |
| Five Dzus - Glove Box | | |
| NCAGE CODE | PART NO. | SHEET |
| L00N3 | JA70-005 | 1/1 |
| DOC. NO. | | |
| JA70-005 Mechanical Installation Rev B.SLDDRW | | |