



JA10-x70 Audio Controller Ten Transceiver with RX Volume Control Data Sheet



Description

The JA10-x70 Audio Controller has been designed to meet the increasing radio communications requirements for many operators, with a capability to control up to ten transceivers. At only six Dzus holes high, this audio controller is a compact, lightweight solution incorporating the latest technology. The unit will support up to eight users, pilot, co-pilot and up to six passengers.

By using a Windows® based application (ProCS™), configuration settings may be changed via a 3.5mm jack socket on the front panel. Field replaceable illuminated legends mean that the dealer only needs to order one version of the controller for many different mission configurations.

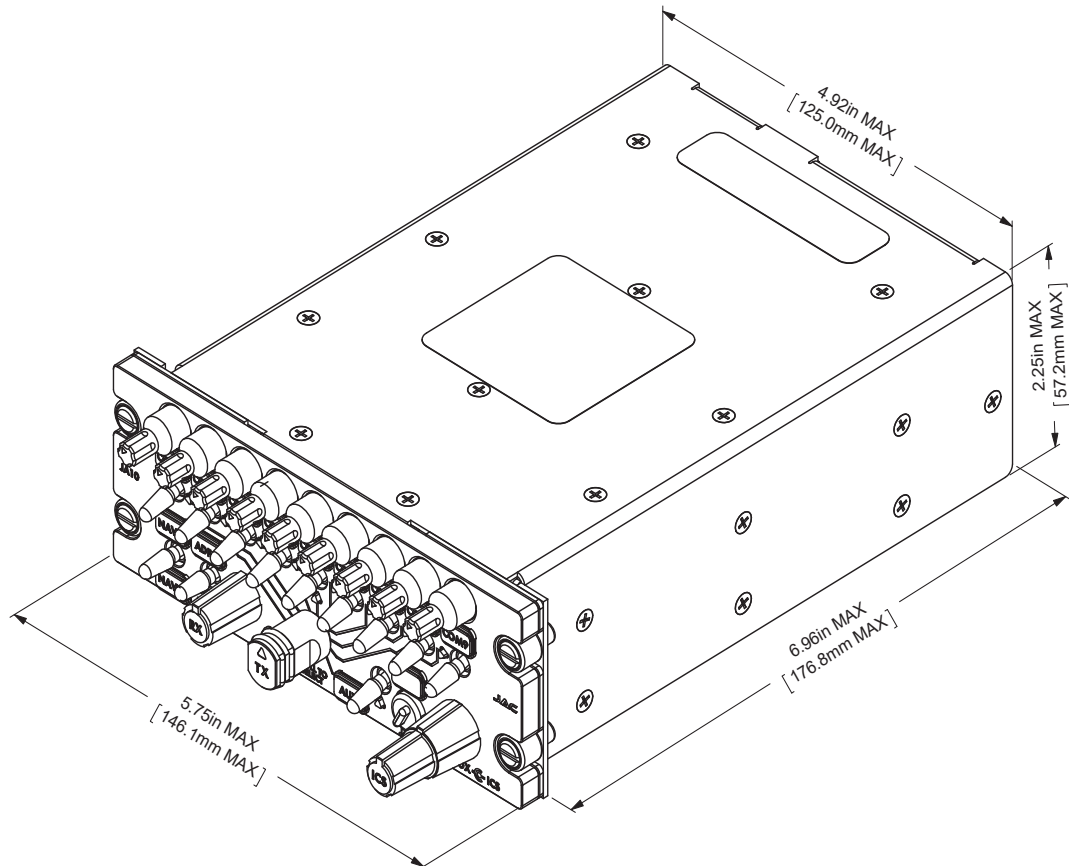
Features

- Up to 8 users
- Field configurable settings
- Field replaceable legends
- Individual receive audio volume controls
- Adjustable output and input levels
- Balanced ICS, CVR, & transmit mic. outputs
- Adjustable CVR output level
- Front panel music input
- 5, 14 and 28 Vdc lighting voltage selection
- Music muting
- Individual mic. gating
- Tx capability for 4 users
- Transmit select annunciators
- ICS PTT for all users



JA10-x70 Specifications

Installation



Weight: TBD lb. [TBD kg] Max.

Environment and Performance

Transceivers		10 Comms
Receiver Input		4 Receivers, 4 Directs, 2 Music Inputs, 1 ICS Tie
Number of Headsets		8 users
Electrical	Power	28 Vdc @ (1A) max
	Lighting	<10mA @ 5, 14, 28 Vdc
Temperature	Operational	-45 °C to +70 °C
	Survival	-55 °C to +85 °C
Altitude		50,000 ft. max
Humidity		95%
Shock		6g (any axis)
Headphone		250 mW into 600 ohms
TSO Compliance		Contact JAC for TSO status
Installation Kit		INST-JA10