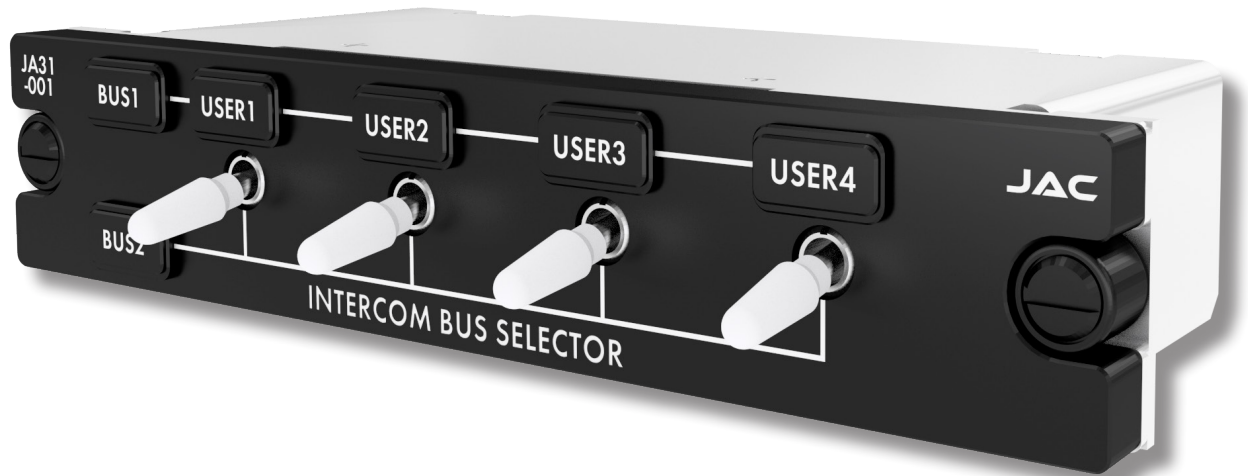




JA31-x01 Intercom Bus Selector

Data Sheet



Description

The JA31-x01 Intercom Bus Selector provides the aircrew with the ability to manage the intercom between audio controllers in the aircraft. Using the front panel switches, three to six audio controllers' ICS TIE lines are connected to either of two intercom buses which allows individuals to be isolated, or for different intercom talk groups.

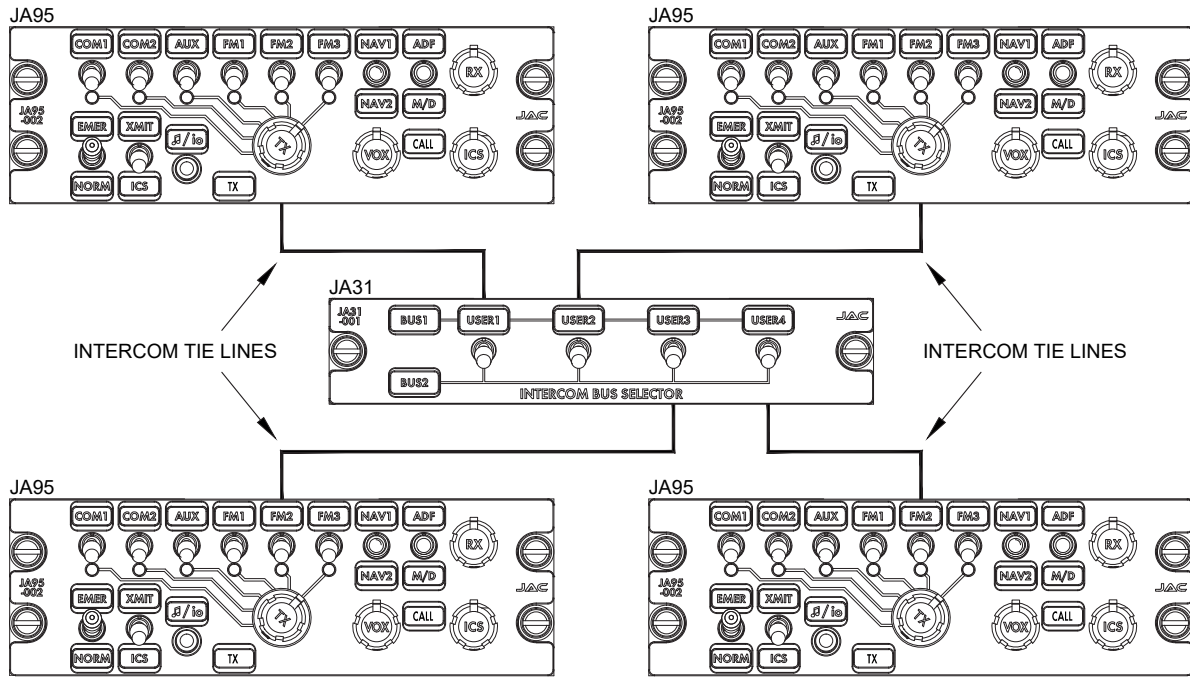
Impedance load matching is provided so that ICS TIE line audio levels are maintained.

Features

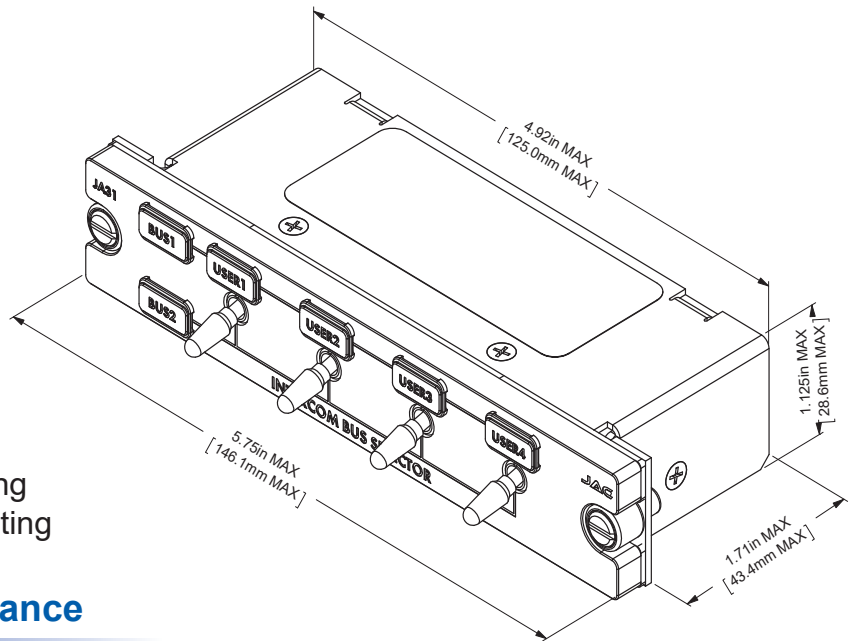
- NO aircraft power required
- Interchangeable front panel legends
- Pin compatible with industry standard
- Legends dimmable from the aircraft lighting bus



JA31-x01 Block Diagram



JA31-x01 Specifications Installation



Weight: 0.46 lb. [0.21 kg] Max.

JA31-001 Standard White Lighting
 JA31-N01 NVG Compatible Lighting

Environment and Performance

Electrical Power	None
Operating Temperature	-40 C to +70 C
Survival Temperature	-55 C to +85 C
Altitude	55,000 ft. max
Humidity	95%, 48 hrs
Shock	20g (any axis)
TSO Compliance	Contact JAC for TSO status
Installation Kit	INST-JA31