



## JA37-001 / JA37-002 / JA37-201 / JA37-202 Aural Message Generator Data Sheet



### Description

The JA37-0xx and JA37-2xx series of aural message generators are digital storage / playback devices with voltage or ground seeking trigger inputs.

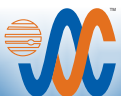
The number and duration of messages for each model number is shown below:

	Number of Messages	Maximum Message Duration
JA37-001	3	11 Seconds
JA37-002	3	88 Seconds
JA37-201	6	11 Seconds
JA37-202	6	88 Seconds

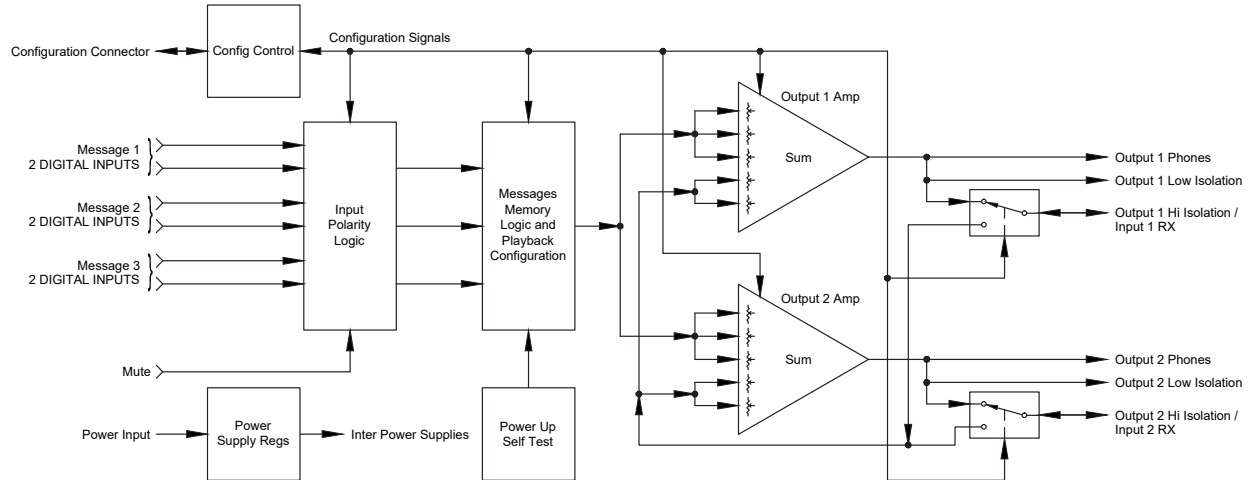
By using a Windows® based application (ProCS™), loading messages and other configuration parameters may be carried out via a 3.5mm jack, even after installation in the aircraft.

### Features

- Field configurable settings
- Voltage or ground seeking trigger inputs
- Two trigger inputs per message
- Each message configured as “one-shot” or repeating continually
- Messages play simultaneously or sequentially (if prioritized)
- Two balanced outputs
- Tone or voice message library available
- 2 RX Audio inputs for mixing with messages
- Message mute input

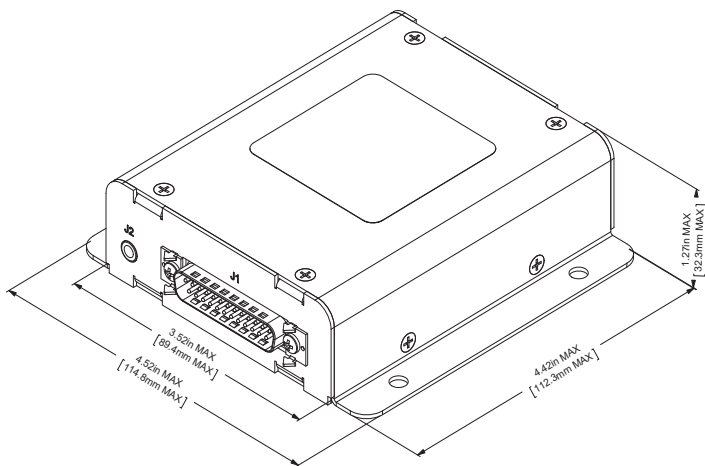


# JA37-001 / JA37-002 / JA37-201 / JA37-202 Block Diagram

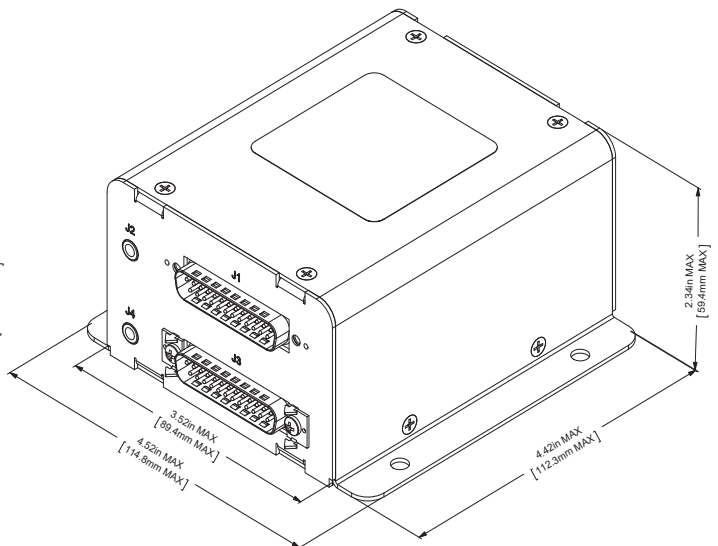


Note: The block diagram shown is for each connector.

## Specifications Installation



JA37-001 Weight: 0.54 lb. [0.24 kg] Max.  
JA37-002 Weight: 0.54 lb. [0.24 kg] Max.



JA37-201 Weight: 0.91 lb. [0.41 kg] Max.  
JA37-202 Weight: TBD

## Environment and Performance

Electrical Power	JA37-001 & JA37-002 11 – 30 Vdc @ 0.5A Max JA37-201 & JA37-202 11 – 30 Vdc @ 1.0A Max
Operating Temperature	-40 C to +70 C
Survival Temperature	-55 C to +85 C
Altitude	50,000 ft. max
Humidity	95%, 48 hrs
Shock	20g (any axis)
TSO Compliance	JA37-001: TC CAN-TSO C139 JA37-002: TC CAN-TSO C139 JA37-201: TC CAN-TSO C139 JA37-202: Contact JAC for TSO Status
Installation Kit	INST-JA37 (Qty 2 for JA37-201 & JA37-202)