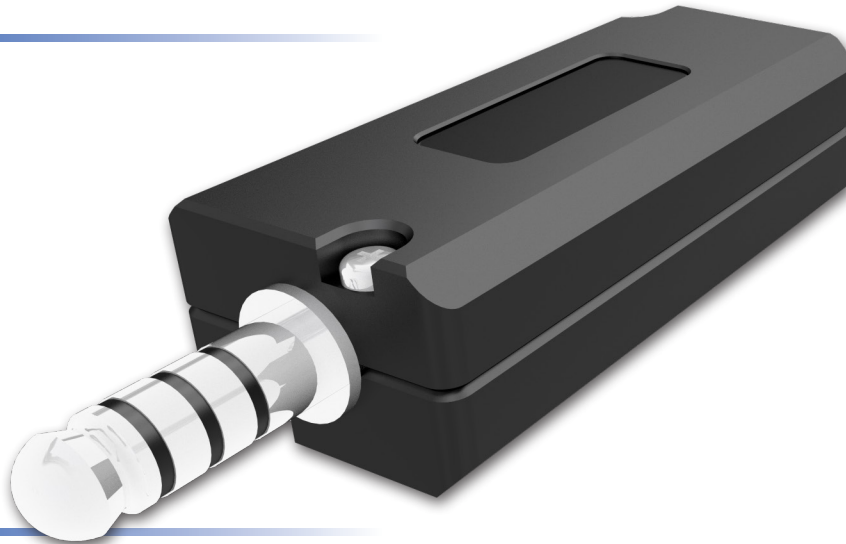




JA39-xxx - In-Line Headset Adapter Series

Data Sheet



JA39-xxx

The JA39-xxx series of in-line headset adapters allow a variety of headset types and impedances to be used with a regular aviation audio controller such as the Jupiter Avionics JA95-xxx series. The adapter operates using the Mic. Bias supply of the audio controller and does not require any external power.

The units feature an industry standard U-174/U (TP120) Plug and a U-92A/U (TJT-120) Jack to allow plug and play operation.

The metalized plastic case construction allows the adapter to be used in high RF environments. The in-line adapters are particularly suited to adapting different headsets for use with the Jupiter wiJAC2™ Wireless Aircraft Headset Adapter.

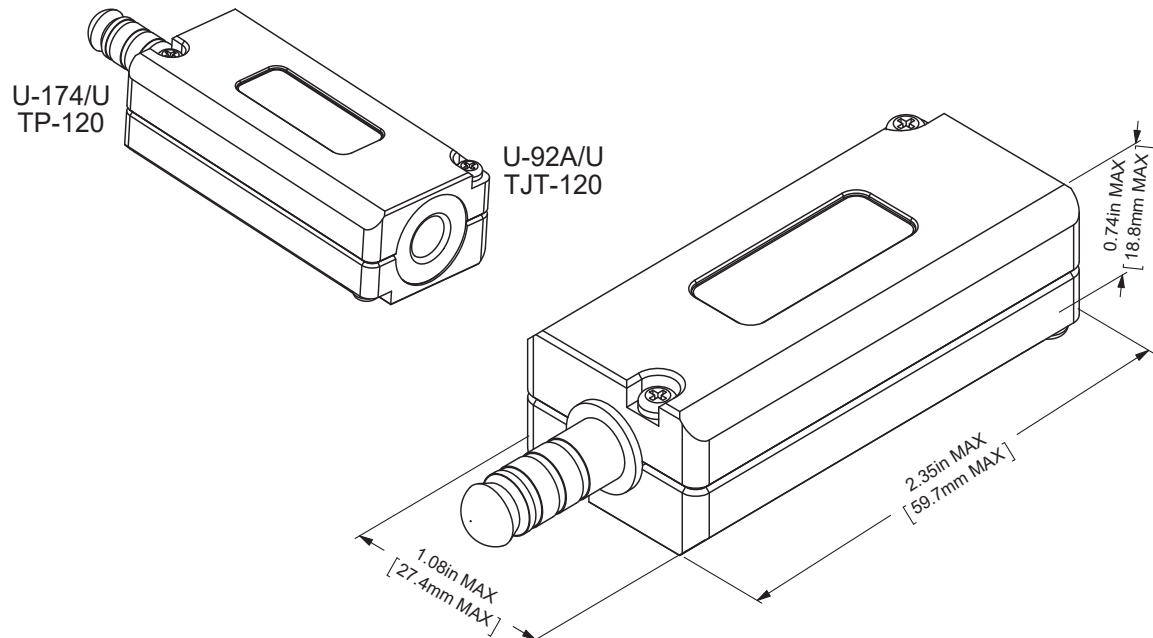
The table below shows the headset impedances for each Model Number.

Part Number	Headset Impedance		Audio System Impedance	
	Mic.	Earphone	Mic.	Earphone
JA39-001	5 Ohms	8 Ohms	150 Ohms	150 Ohms
JA39-017	150 Ohms	115 Ohms	150 Ohms	150 Ohms
JA39-022	230 Ohms	230 Ohms	150 Ohms	150 Ohms
JA39-075	75 Ohms	150 Ohms	150 Ohms	150 Ohms
JA39-605	5 Ohms	600 Ohms	150 Ohms	150 Ohms
JA39-875	75 Ohms	8 Ohms	150 Ohms	150 Ohms



JA39-xxx Specifications

Dimensions



Weight: 0.11 lb. 51.2 g Max

Preliminary Environment and Performance

Operational Temperature	-40 °C to +50 °C
Humidity	95%
Altitude	25,000 ft. MAX
Shock	20g (any axis)
Case Material	Metalized Plastic