



JA55-015 Dzus Panel Speaker - 4 Ohm - 15 Watt Data Sheet



Description

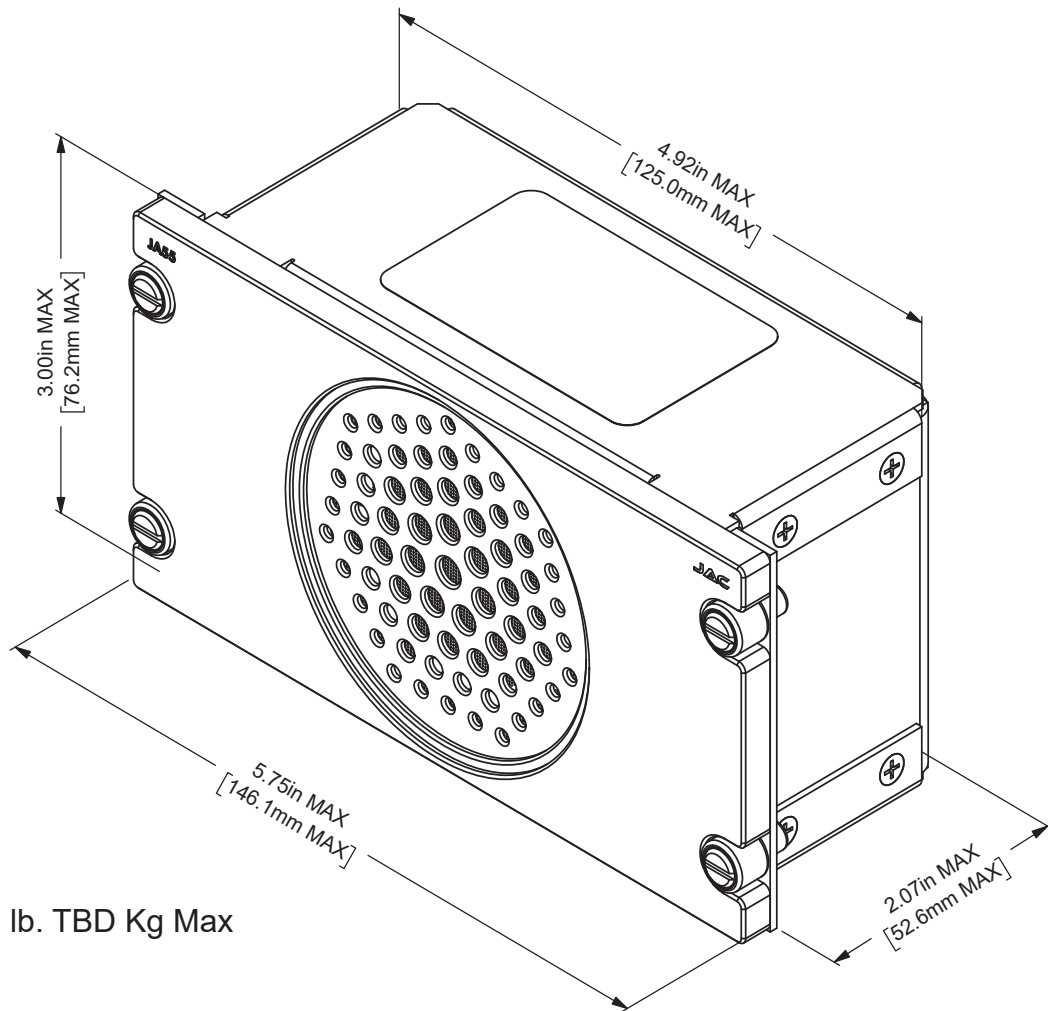
The JA55-015 Dzus panel loudspeaker is designed to be compatible with Jupiter's JA23-xxx series of audio amplifiers as well as other audio systems using a series/parallel configuration as required.

The JA55-xxx uses a neodymium magnet for high energy and lightweight power. It is constructed using flame retardant materials.



JA55-015

Installation



Environment and Performance

Maximum power (Watts)	15
Rated Impedance (Ohms)	4
Frequency Range (Hz)	150 - 20,000
Operating Temperature	-45 °C to +70 °C
Survival Temperature	-55 °C to +85 °C

Installation Kit	INST-JA55
------------------	-----------