



JA70-007C Nine Dzus Glove Box with Cover Data Sheet



JA70-007C Dzus Rail Glove Box with Cover

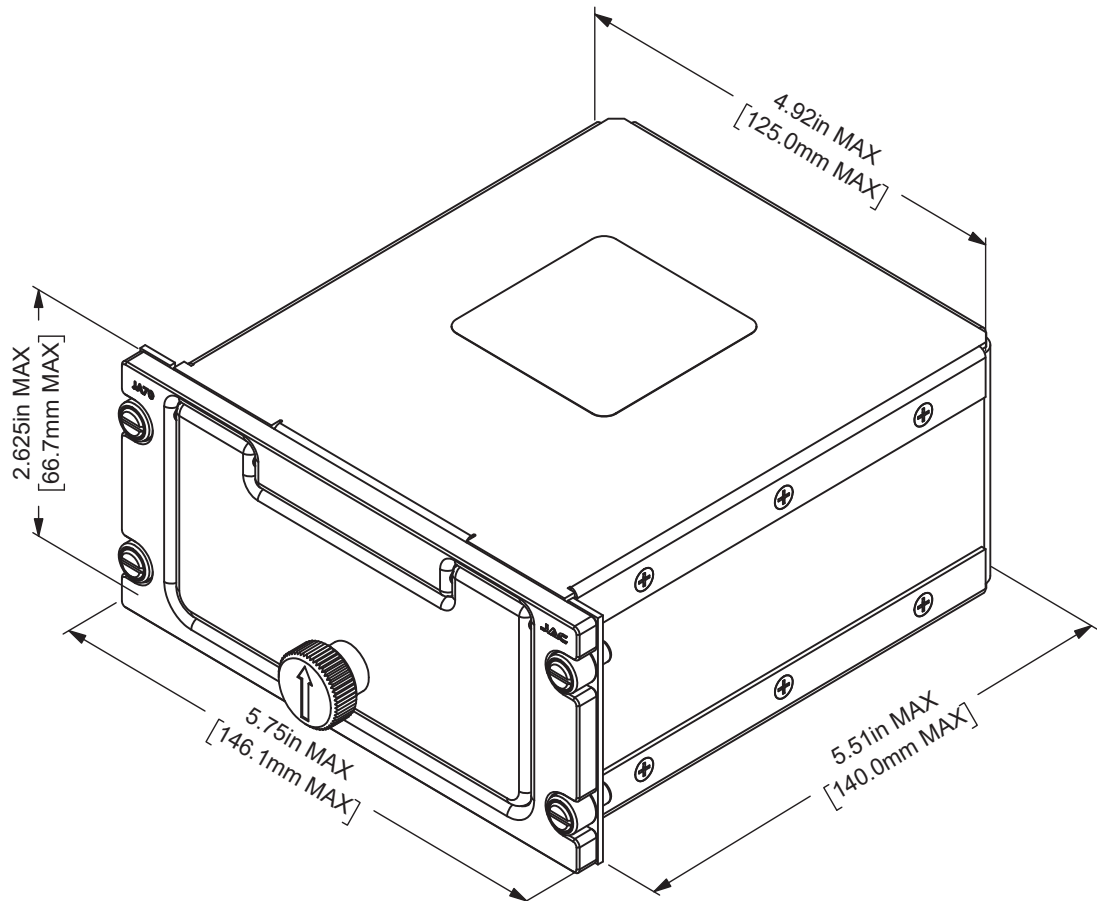
Make better use of empty panel space and reduce clutter with the JA70-007C Glove Box with Cover. The hinged cover helps to keep small items secure.

JAC glove boxes provide convenient temporary storage locations for your phone, keys, etc. Matching the design and color to existing control heads presents the customer with a professional look and feel to the instrument panel.



JA70-007C Specifications

Installation



Weight: TBD

Opening: 4.46 x 1.80 in (11.33 x 4.5 cm)

x options: 0 = Black FED-STD-37038
1 = Gray FED-STD-36231

Environment and Performance

Storage Capacity	1 lb. [450 g]
------------------	---------------