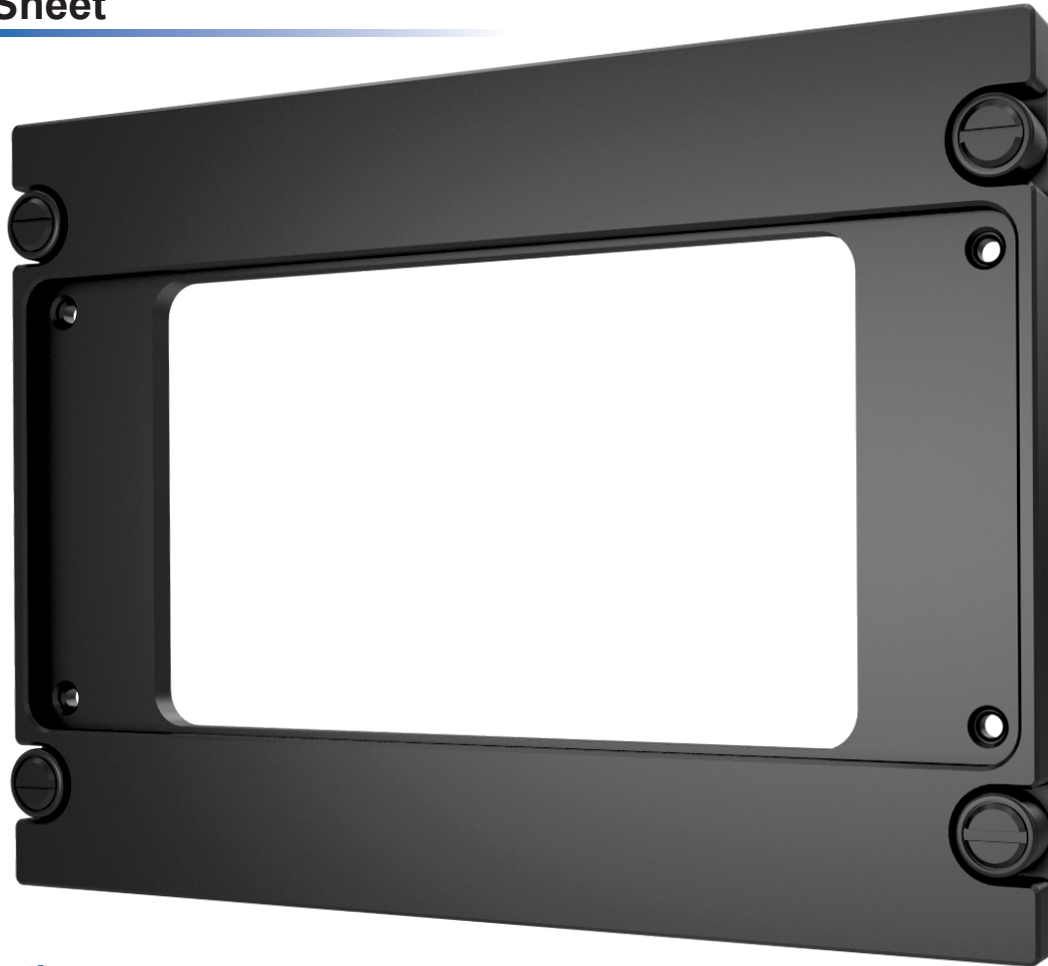




JA71-xSAM

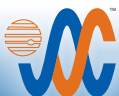
Standby Attitude Module Mounting Plate - 11 Dzus Data Sheet



Description

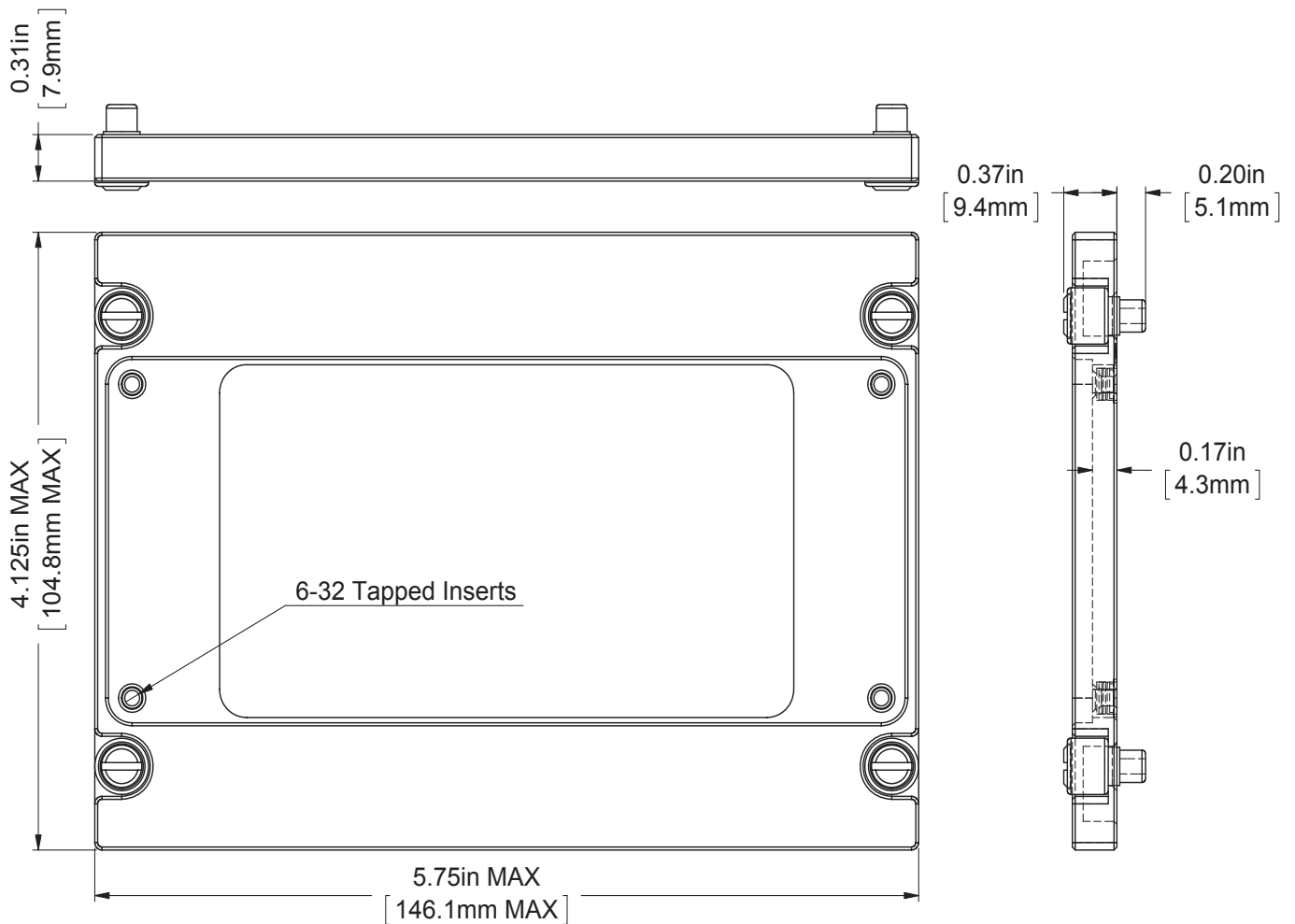
This Dzus mount front panel is designed to accommodate the Mid-Continent 2-inch Standby Attitude Module, SAM®. Machined from 6061T6 aluminium and finished with scratch resistant urethane paint, this plate is available in Black (FED-STD-37038) or gray (FED-STD-36321).

The adapter allows installers to quickly mount the SAM®, resulting in a uniform, professional appearance.



JA71-xSAM Specifications

Installation



Dimensions per MIL-STD-MS25212

x options: 0 = Black FED-STD-37038
1 = Gray FED-STD-36231