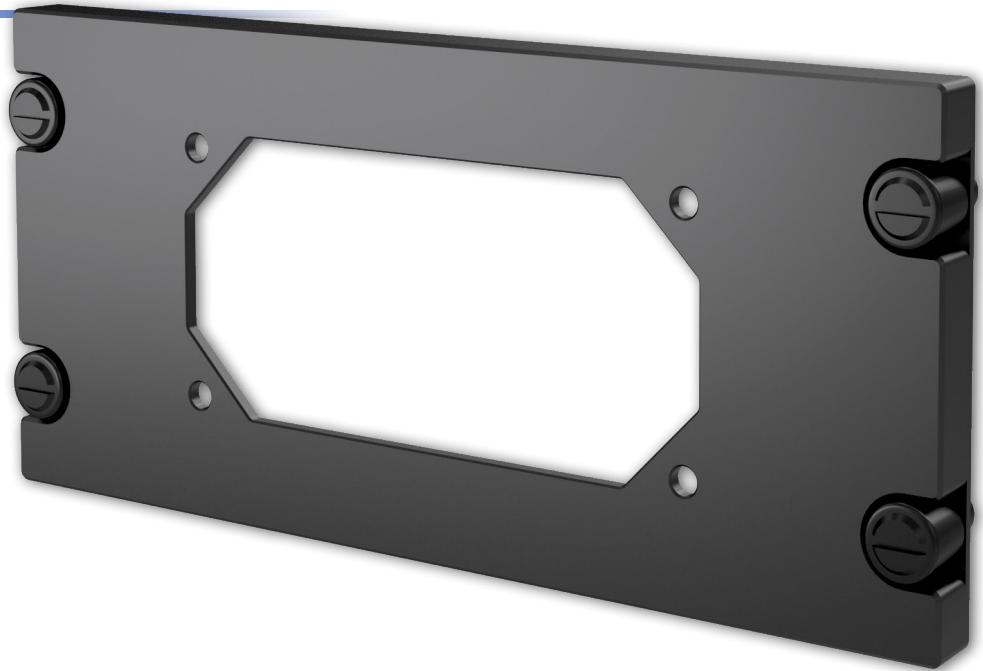




JA71-A17

1/2 3 ATI Mounting Plate - 7 Dzus

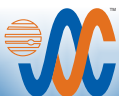
Data Sheet



Description

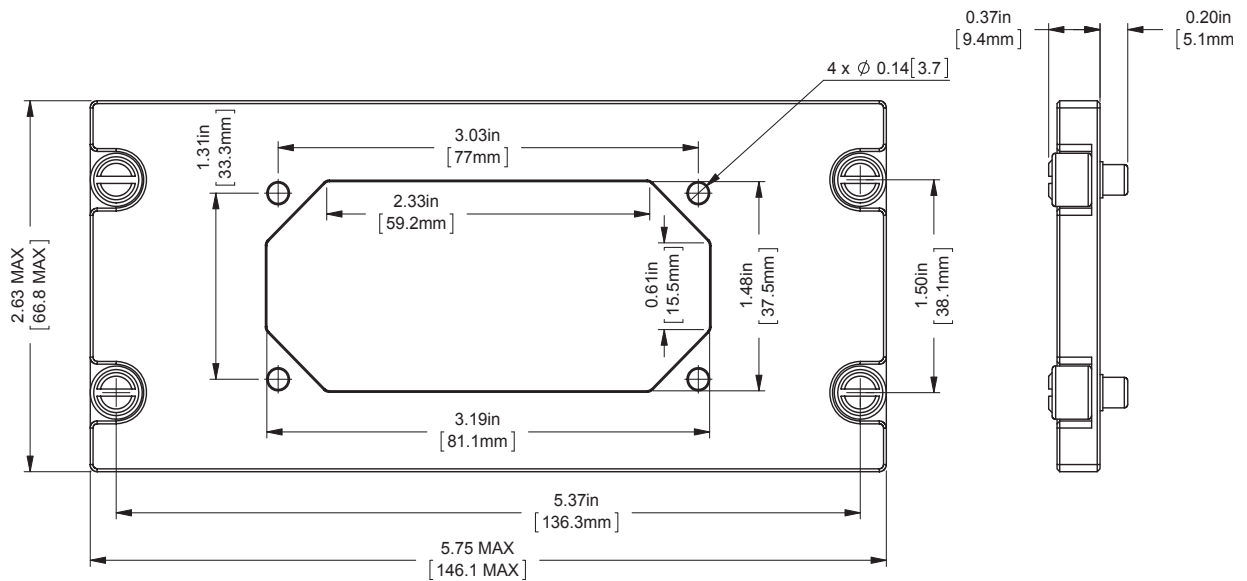
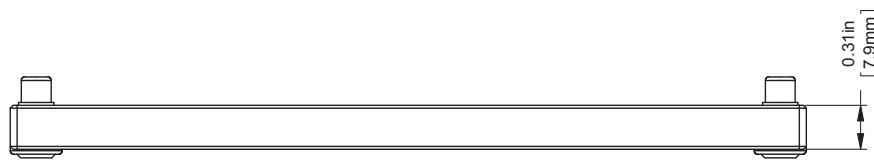
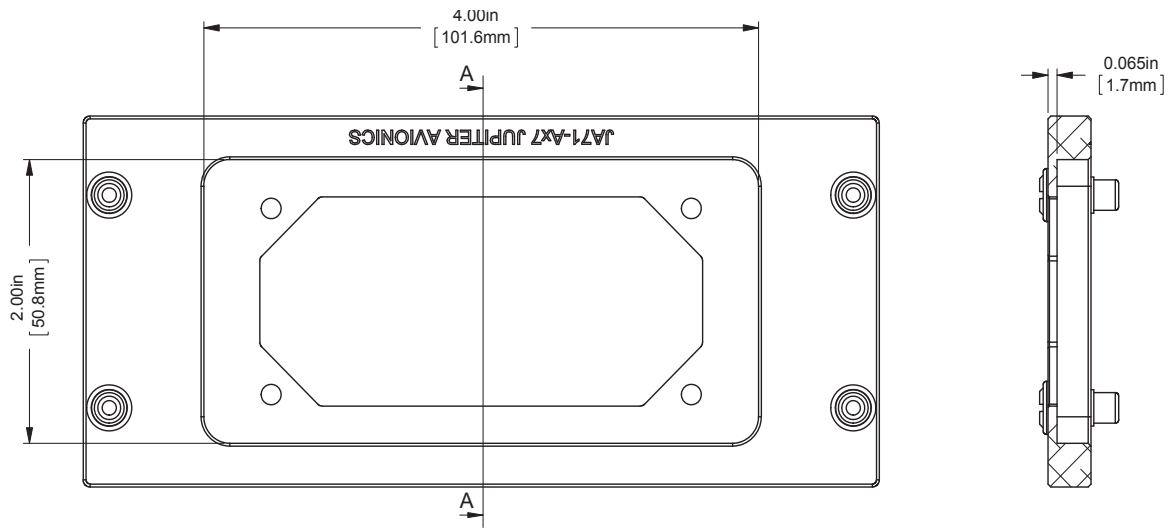
This Dzus mount front panel is designed to accommodate a standard 1/2 3 ATI instrument. Machined from 6061T6 aluminium and finished with scratch resistant urethane paint, this plate is available in either black (FED-STD-37038) or gray (FED-STD-36321).

This adapter allows installers to quickly mount mixed avionics resulting in a uniform, professional appearance.



Specifications

Installation



Weight: TBD lb. TBD Kg Max