



JA71-RC2A Round Clamp Mounting Plate MS28042-2A - 10 Dzus

Data Sheet



Description

This Dzus mount front panel is designed to accommodate a single Round Instrument Clamp type MS28042-2A.

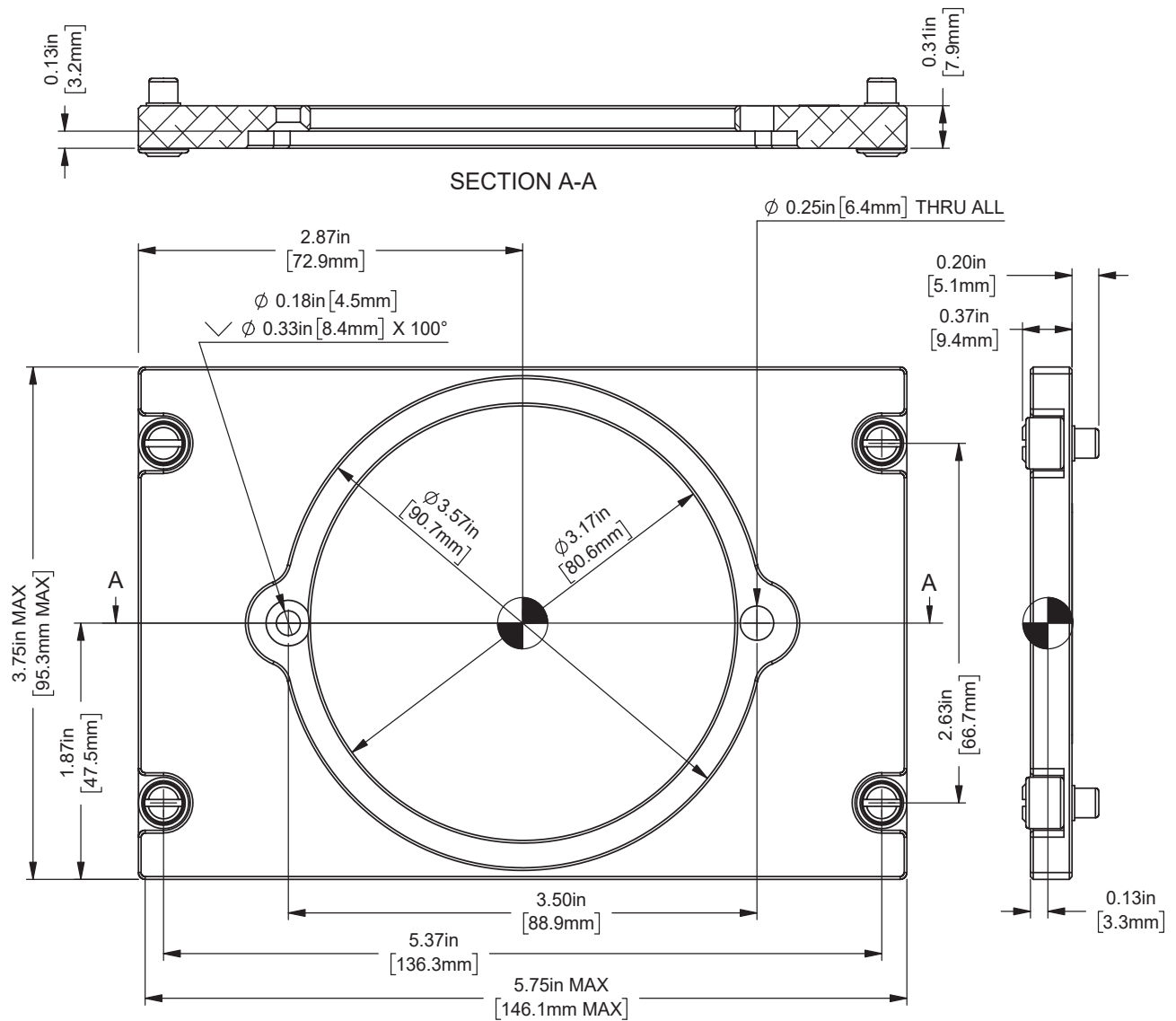
Machined from 6061T6 aluminium and finished with scratch resistant urethane paint, this plate is available in either black (FED-STD-37038) or gray (FED-STD-36321)

This adapter allows installers to quickly mount mixed avionics resulting in a uniform, professional appearance.



Specifications

Installation



Weight: TBD lb. [TBD Kg] Max