



JA71-SASxx Swivel Arm Socket System

Data Sheet



JA71-SASxx Shown

Description

Adapter not included

The JA71-SASxx incorporates a 'B' size, one inch diameter mounting ball. A phone or tablet may then be conveniently installed on the console and adjusted using a mount available from an extensive range of third parties.

Machined from 6161T6 aluminium and finished with scratch resistant urethane paint, this plate is available in either black (FED-STD-37038) or gray (FED-STD-36231).

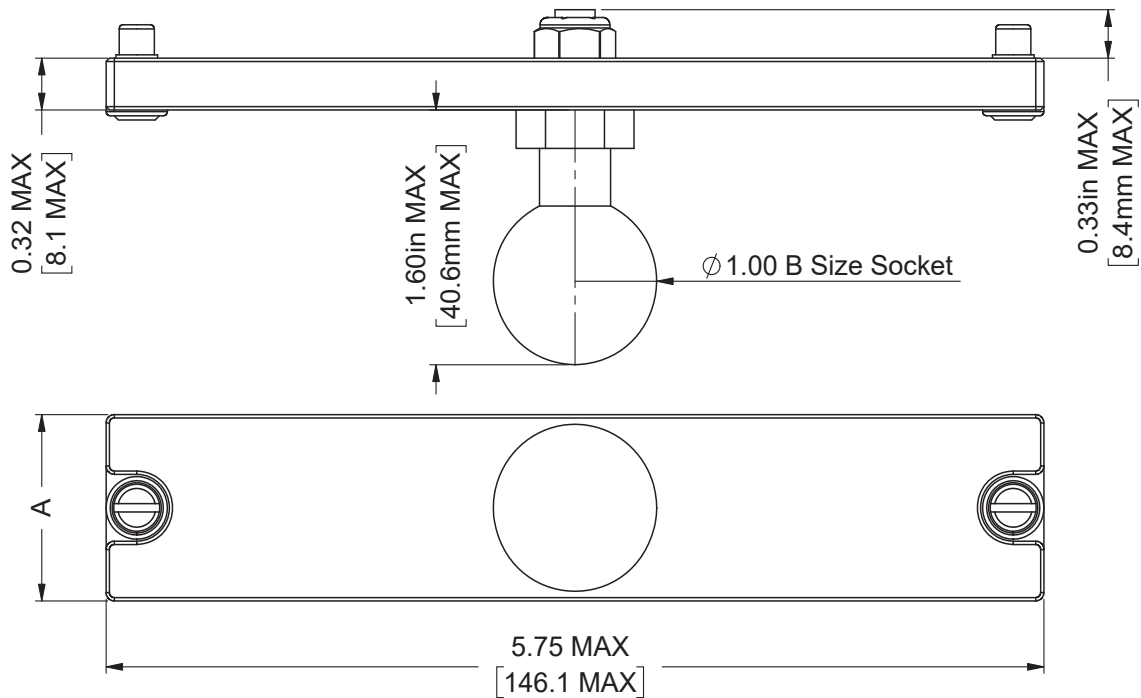
This adapter system allows installers to quickly and securely mount personal communications equipment within easy reach.

The JA71-SASxx has been tested to DO-160G Vibration Category U2FF1 and shock Category B.



Specifications

Installation



WEIGHT: T.BD lbs [T.BD kg] MAX.

P/N	Max Height (A)	No. Dzus Supports	Dzus Height	No. Ball Supports
JA71-SAS31	1.125	2	3	1
JA71-SAS51	1.875	4	5	1

