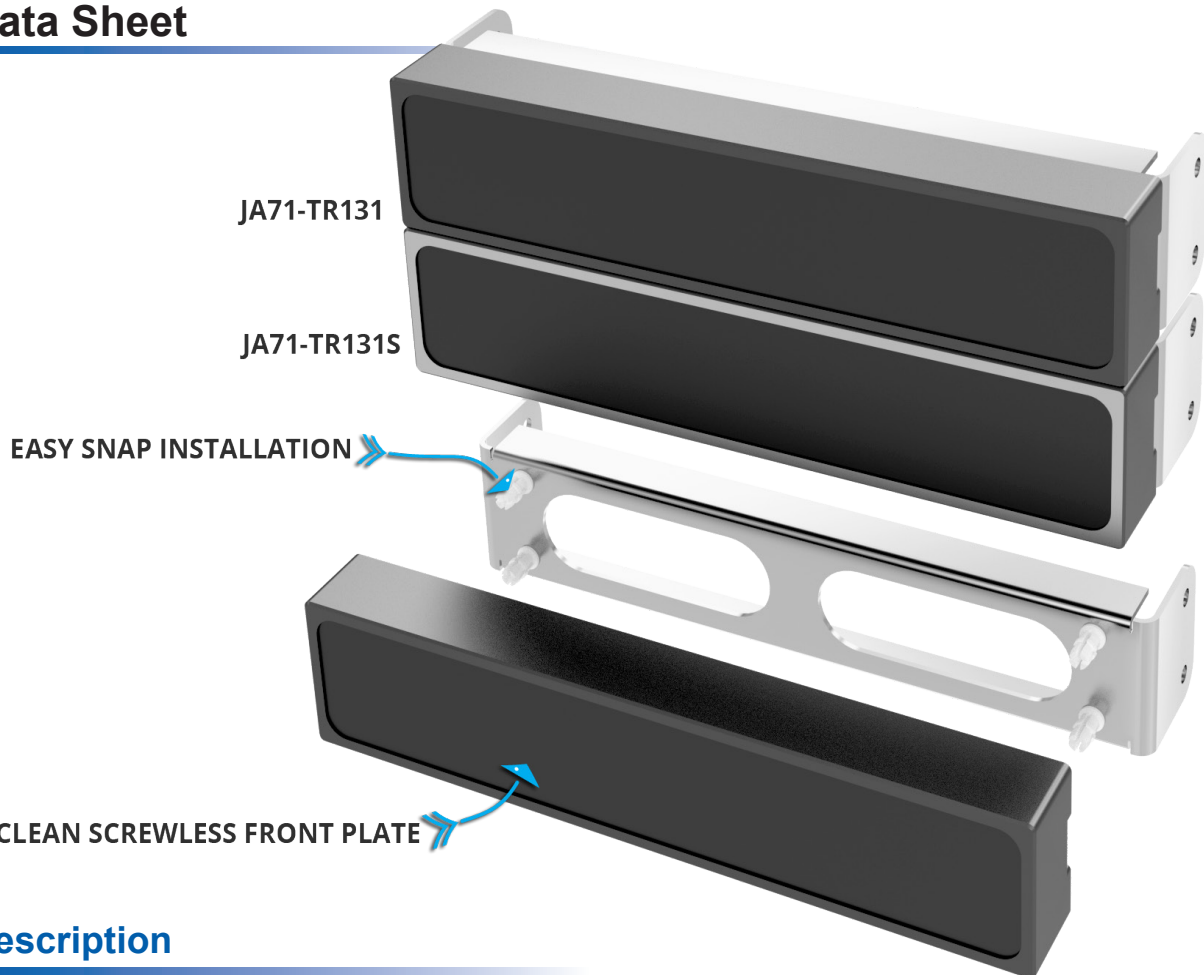




## JA71-TRxxx Tray Mount Blanking Plates Data Sheet



### Description

The JA71-TRxxx Panel Mount Blanking Plate (Radio Cover Plate) allows the aircraft owner / operator to remove a piece of radio equipment from the cockpit and fill the void with a compatible sized cover plate. Matching the design and color to existing control heads presents the customer with a professional look and feel to the instrument panel.

Contact JAC for Available Heights or a Custom Height.

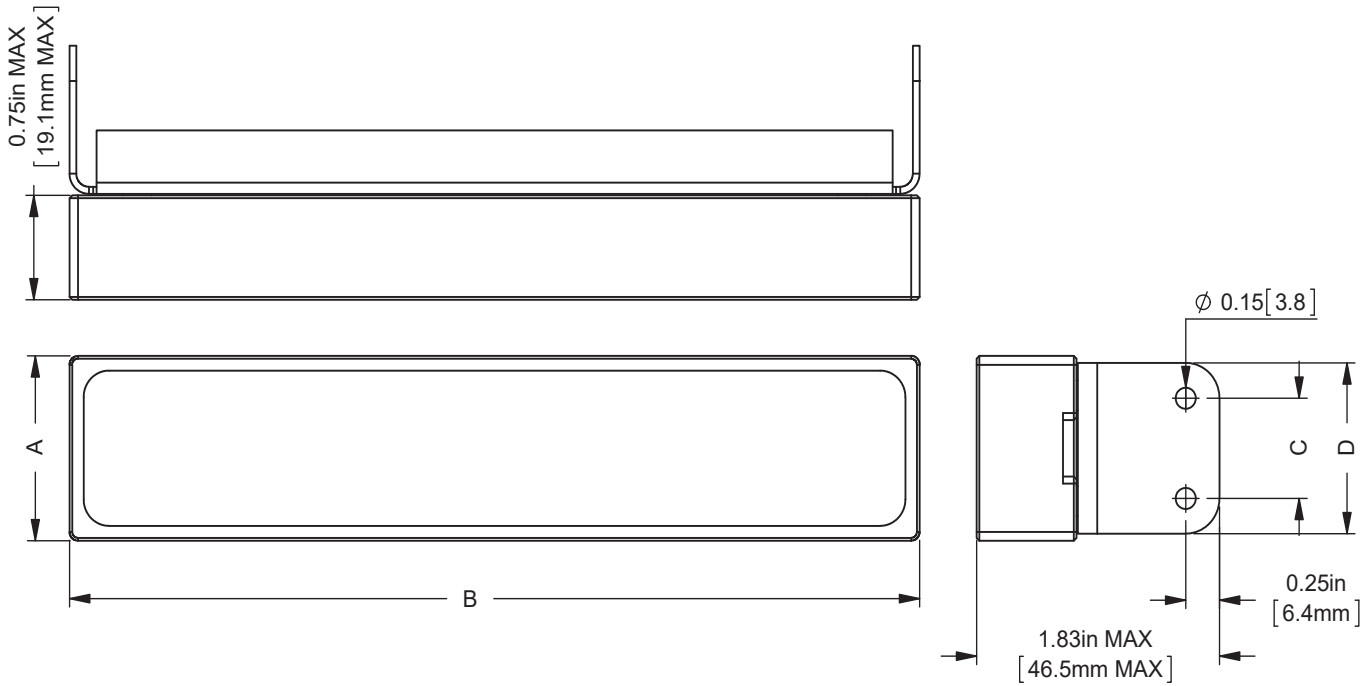
### Features

The JA71-TRxxx series are solid alluminum components with a baked-on flat black (or gray) urethane finish to resist scratches and nicks.



# JA71-TRxxx

## Installation



	A (MAX)	B (MAX)	C	D
JA71-TR131	1.31in [33.3mm]	6.31in [160.3mm]	0.71in [18mm]	1.21in [30.7mm]
JA71-TR162	1.62in [41.1mm]	6.31in [160.3mm]	0.71in [18mm]	1.21in [30.7mm]

For information on other sizes, please contact factory

### Paint:

JA71-TRxxx = Black FED-STD-37038

JA71-TRxxxG = Gray FED-STD-36231

### Silver Trim:

JA71-TRxxxS

JA71-TRxxxGS

## Environment and Performance

DO-160G Env. Cat. [XXX]XXB[SBM]XXXXXXXX[XXX]XX[XX]X[XXXXX] XXXX