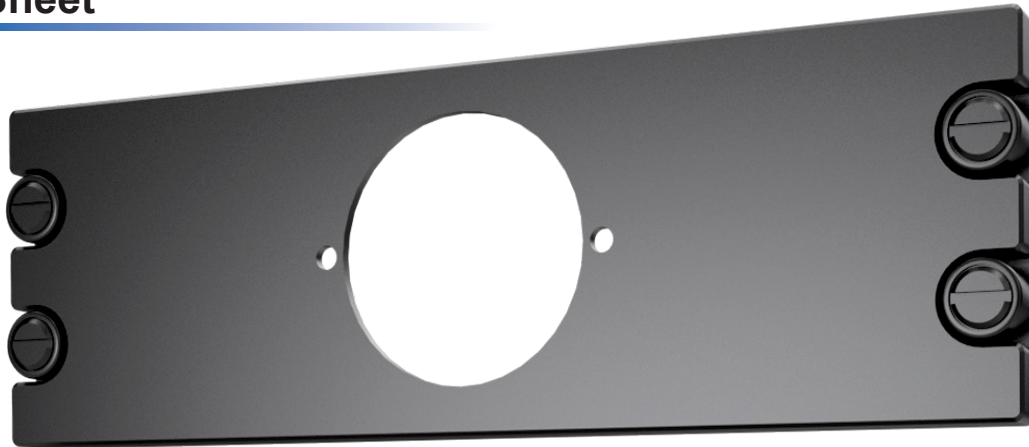
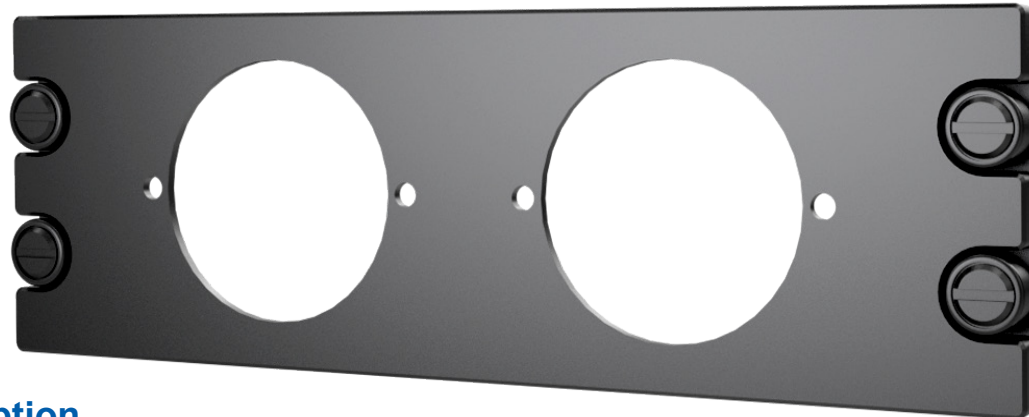




JA71-UJAC1 / JA71-UJAC2 Five Dzus - Single and Dual UJAC Mounting Plate Data Sheet



JA71-UJAC1



JA71-UJAC2

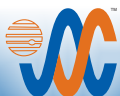
Description

These two Dzus mount front panels are designed to accommodate either one or two of Jupiter Avionics' USB Chargers, UJAC-001. Machined from 6061T6 aluminium and finished with a scratch resistant urethane paint, these plates are available in either black (FED-STD-37038) or gray (FED-STD-36321).

These adapters allow installers to quickly mount the low profile UJAC-001 USB chargers, resulting in a uniform, professional appearance.

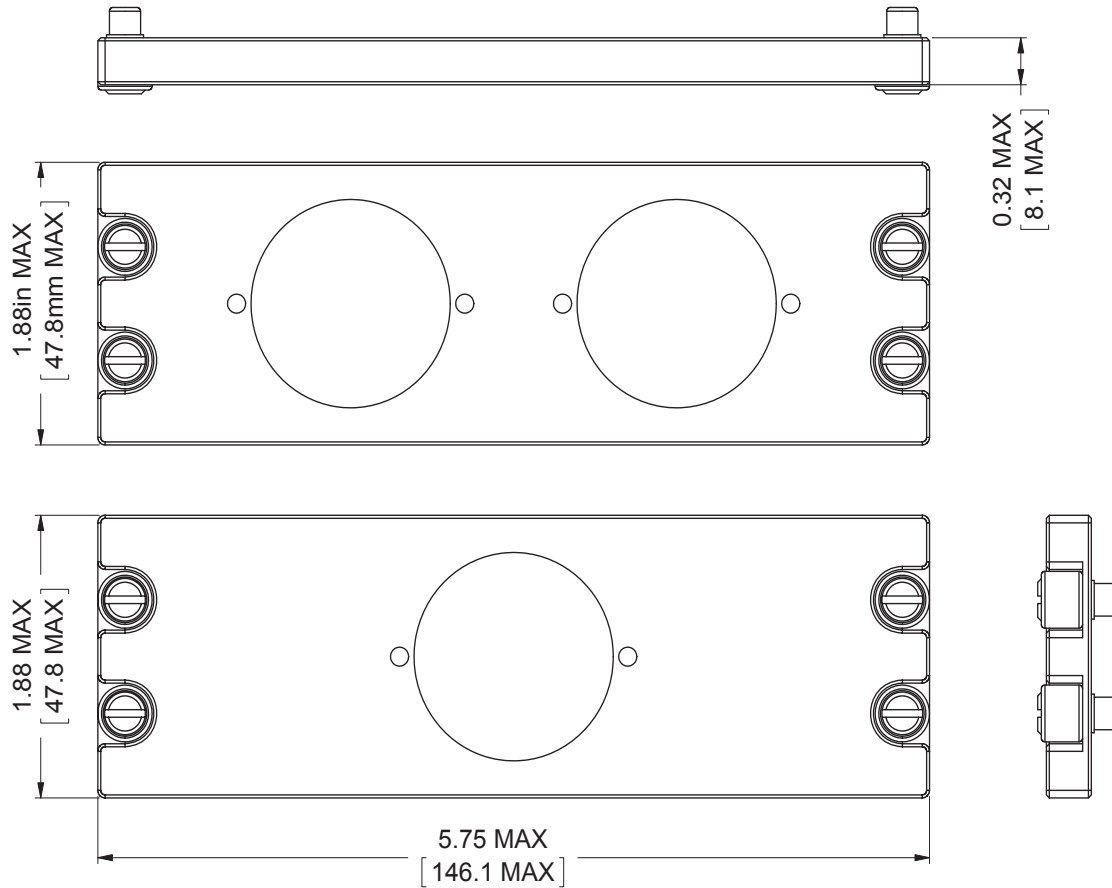
Features

The JA71-UJACx series are painted with a baked-on flat black (or gray) urethane finish to resist scratches and nicks.



JA71-UJAC1 and -UJAC2 Specifications

Installation



Dimensions per MIL-STD-MS25212

