



## Make Better Use of Empty Panel Space with JAC Glove Boxes

### JA72-410 Glove Box with USB C and A Chargers Data Sheet



#### Description

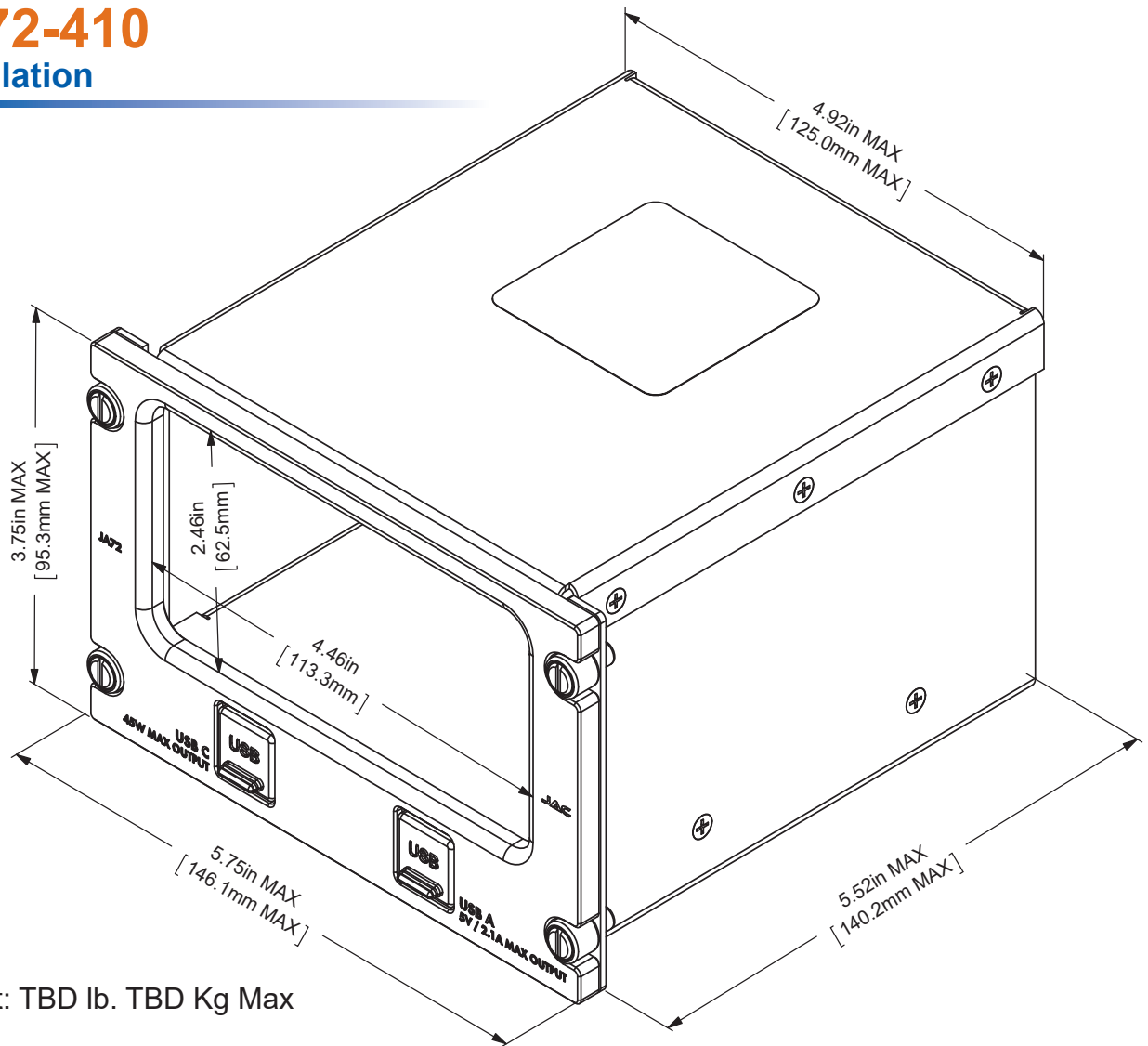
Charge your portable devices and keep organized with the JA72-410. As well as a large aperture for storage (4.4 ins x 2.35 ins, 11 x 6 cms), these units provide USB Type A and Type C charging ports in a single Dzus mount panel. The Type A USB port is capable of supplying 5 Volts DC at up to 2.1 Amps and the Type C port is capable of supplying 5 / 9 / 12 / 15 Volts DC at up to 3.0 Amps and 20 Volts DC at 2.25 Amps.

Alternative sizes and styles of Glove boxes and USB chargers may be found at <http://www.jupiteravionics.com/productglovebox.php>



# JA72-410

## Installation



Weight: TBD lb. TBD Kg Max

## Environment and Performance

Input Current	3.25 A Max @ 28 Vdc
Input Voltage Range	20.5 to 32.2 Vdc
Operating Temperature	-45 °C to +70 °C
Survival Temperature	-55 °C to +85 °C
Altitude	55,000 ft. max
TSO Compliance	Contact JAC for TSO status

Installation Kit	INST-72410
Storage Capacity	1 lb. [450 g]