



Make Better Use of Empty Panel Space with JAC Glove Boxes

JA72-410C Glove Box with USB C and A Chargers and Cover Data Sheet



Description

Charge your portable devices and keep organized with the JA72-410C Glove Box with Cover. As well as a large aperture for storage (4.4 ins x 2.35 ins, 11 x 6 cms), these units provide USB Type A and Type C charging ports in a single Dzus mount panel. The Type A USB port is capable of supplying 5 Volts DC at up to 2.1 Amps and the Type C port is capable of supplying 5 / 9 / 12 / 15 Volts DC at up to 3.0 Amps and 20 Volts DC at 2.25 Amps.

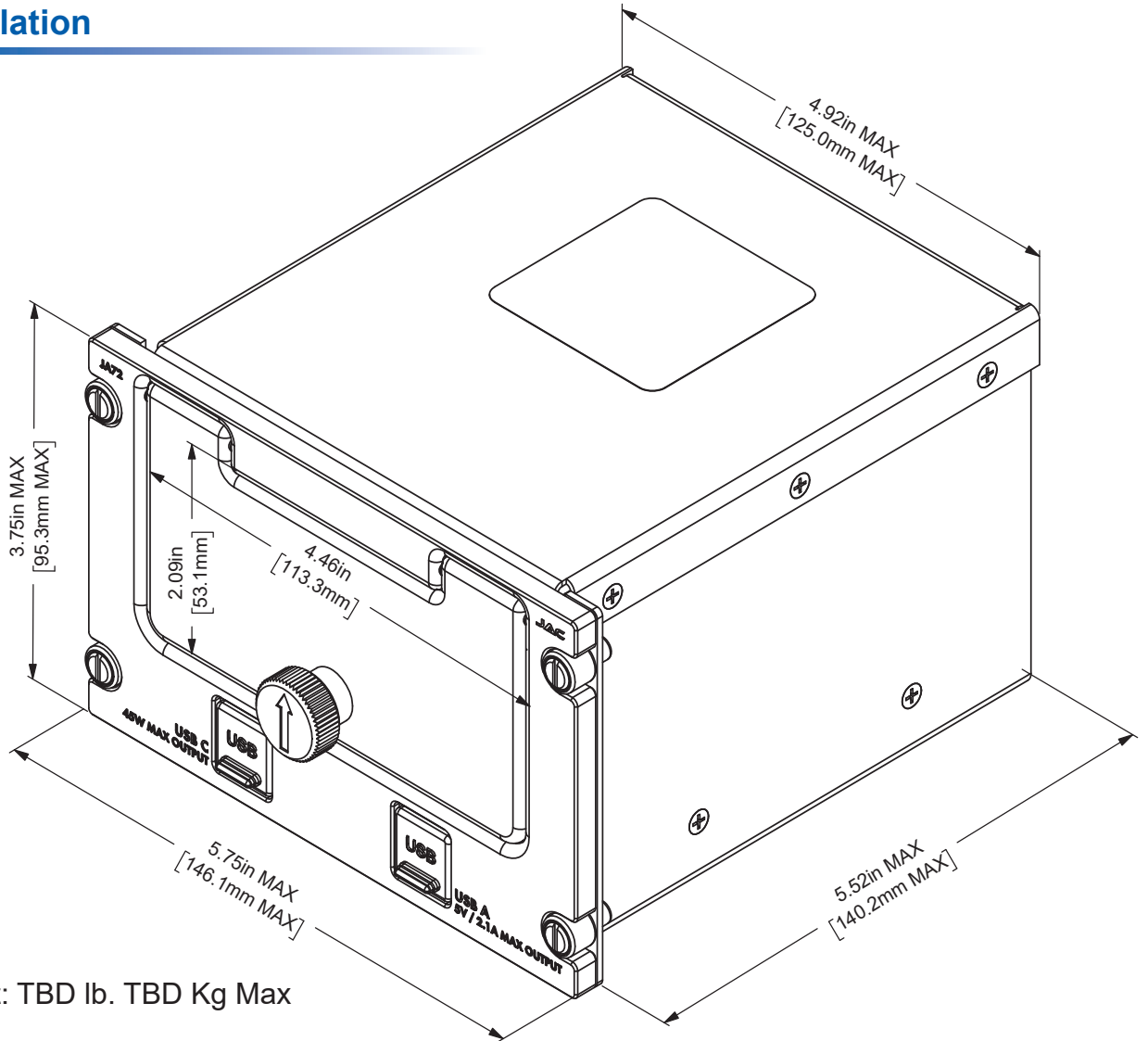
The cover helps to keep small items secure.

Alternative sizes and styles of Glove boxes and USB chargers may be found at <http://www.jupiteravionics.com/productglovebox.php>



JA72-410C

Installation



Environment and Performance

Input Current	3.25 A Max @ 28 Vdc
Input Voltage Range	20.5 to 32.2 Vdc
Operating Temperature	-45 °C to +70 °C
Survival Temperature	-55 °C to +85 °C
Altitude	55,000 ft. max
TSO Compliance	Contact JAC for TSO status

Installation Kit	INST-JA72
Storage Capacity	1 lb. [450 g]