



## Make Better Use of Empty Panel Space with JAC Glove Boxes

### JA72-610 Glove Box Dual USB-C Chargers and Bluetooth Data Sheet



#### Description

Charge and use your portable devices simultaneously! As well as a large aperture for storage, the JA72-610 provides USB dual Type C charging ports, plus a Bluetooth™ connection. The Type C USB ports can both supply 5/9/12/15 Volts DC at up to 3 Amps or 20 Volts DC at 2.25 Amps.

The Bluetooth™ Audio Module is able to receive high quality stereo audio from a Bluetooth™ enabled device as well as providing a full duplex interface with a cell phone or other mobile device.

A configuration port is provided so that all internal settings may be quickly adjusted using Jupiter's proprietary ProCS™ software.

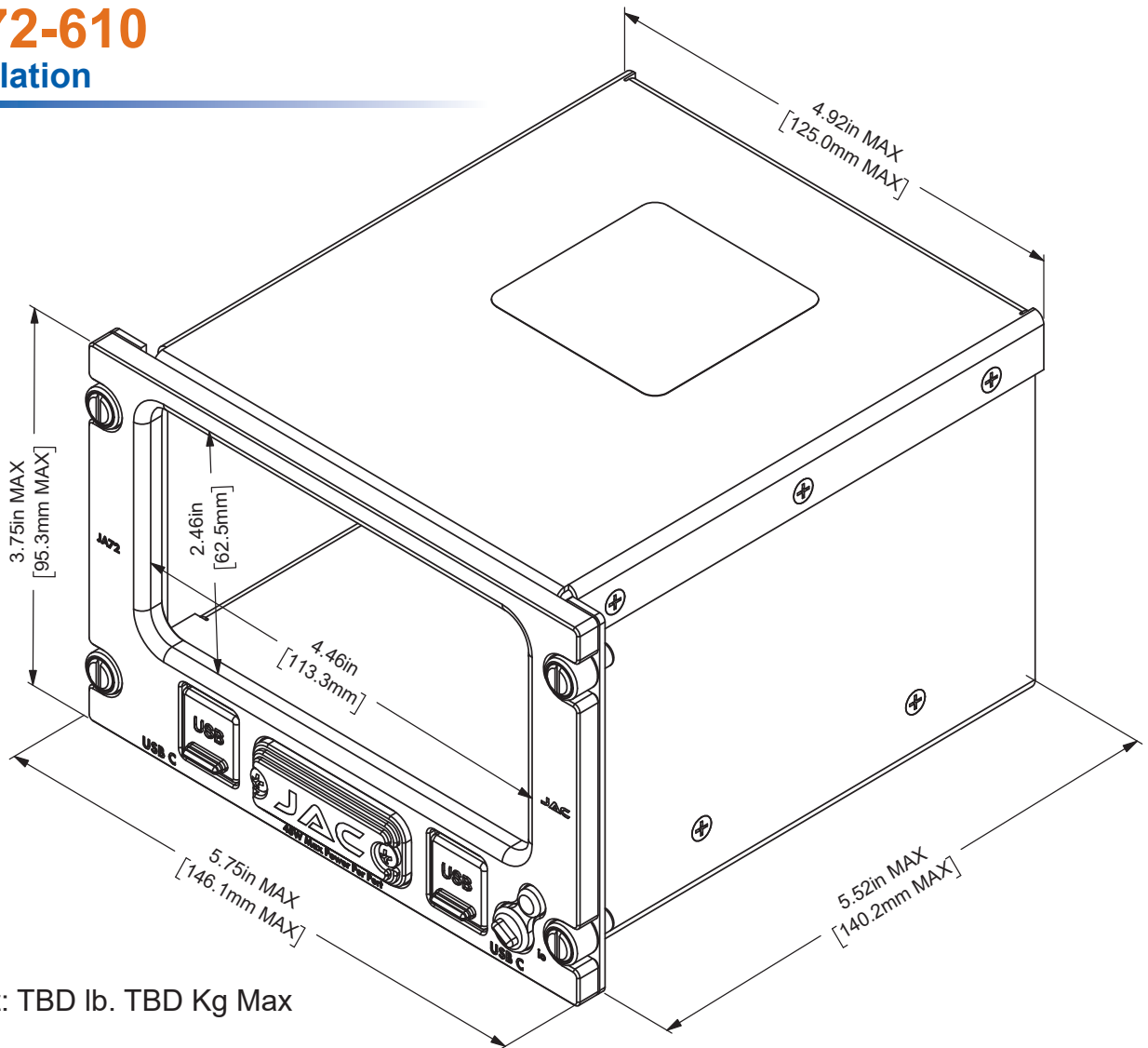
The Bluetooth™ module is a Class 3 device with <10 meters operating range with the following supported profiles: A2DP (Advanced Audio Distribution Profile) and HFP (Hands Free Profile)

Alternative sizes and styles of Glove boxes and USB chargers may be found at <http://www.jupiteravionics.com/productglovebox.php>



# JA72-610

## Installation



Weight: TBD lb. TBD Kg Max

## Environment and Performance

Input Current	3.25 A Max @ 28 Vdc
Input Voltage Range	20.5 to 32.2 Vdc
Operating Temperature	-45 °C to +70 °C
Survival Temperature	-55 °C to +85 °C
Altitude	55,000 ft. max
TSO Compliance	Contact JAC for TSO status

Installation Kit	INST-72610
Storage Capacity	1 lb. [450 g]