



JA77-006 Switch Plate with Dual Removable Legends - Six Dzus Data Sheet



Switches not included

Description

The JA77 Dzus Rail Switch Plate Series allows the aircraft customizer to present a professionally finished configurable switch panel for those ever-present extra switches.

The JA77-006 accepts standard aircraft grade toggle switches (i.e. Honeywell TL series or MS24523).

Blank legends and hole plugs are also available to cover unused switch positions.

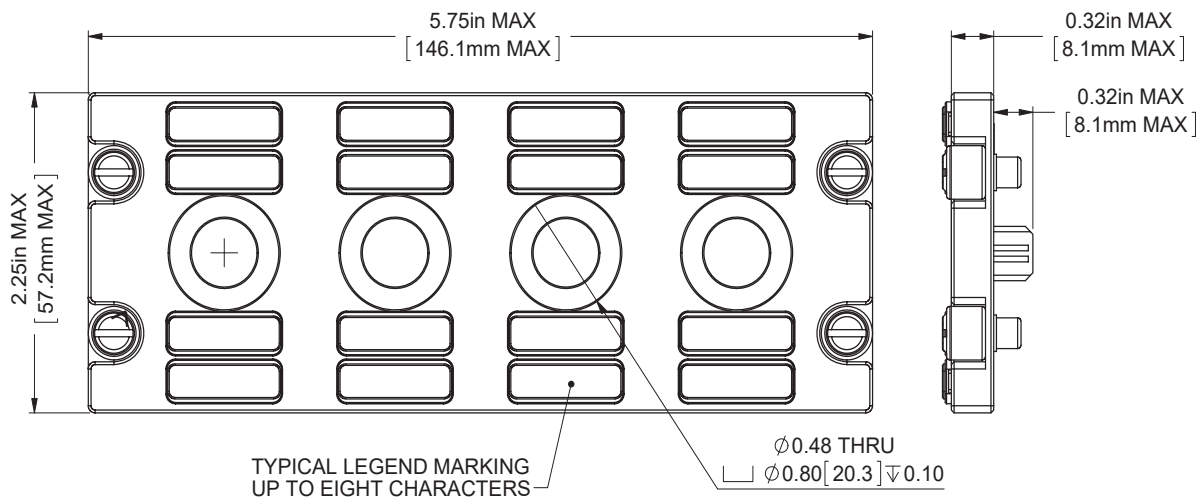
Features

- Accommodation for up to four toggle switches (not included).
- Four legends per switch.
- Each legend is fully dimmable from a +28 Volt light dimmer bus.
- Up to eight characters per removable legend.
- Dzus plate has a baked-on flat urethane paint finish to resist scratches and nicks.
- NVG compatibility legends available.

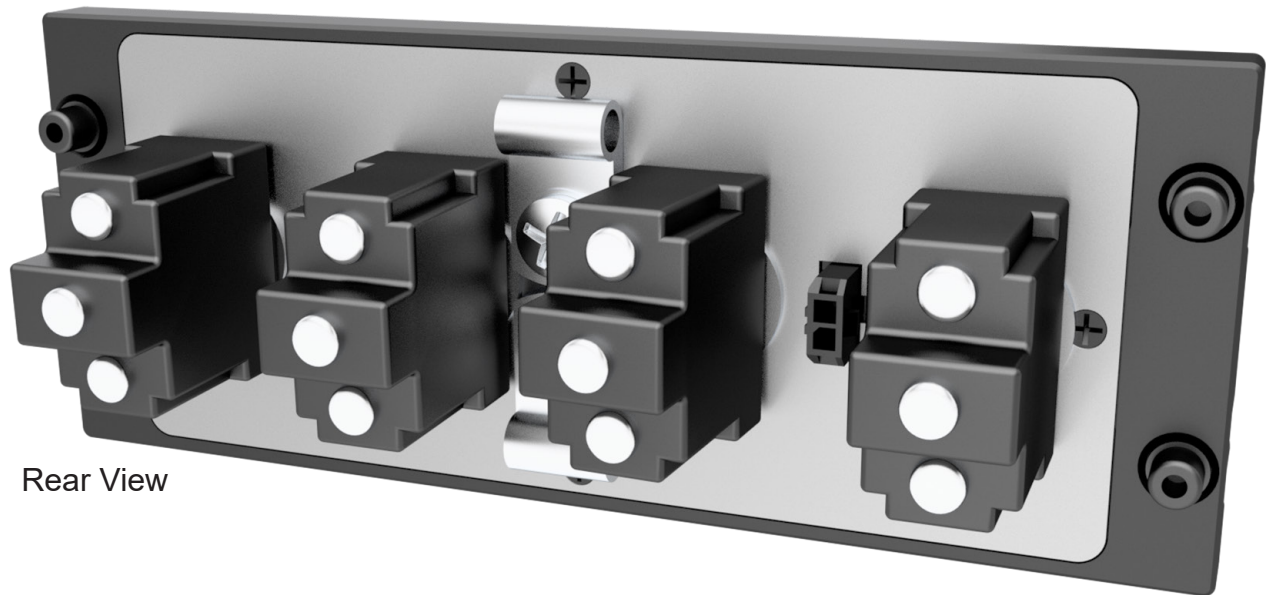


JA77-006 Specifications

Installation



Connector: Micro Fit 3.0, 2 pin Header, Included.
Mating Connector: Micro Fit 3.0, 2 pin Receptacle, Included.



Note: Switches and Strain Reliefs are not included; shown is a typical installation example.