



JA94-R62A Dual Six Channel Mixing Amplifier

Data Sheet



Description

The JA94-R62A mixing amplifier is a compact, lightweight unit that incorporates the latest technology. The unit will mix up to six input signals into one output and up to six different inputs into a second output. A third mixer combines two further input signals into two separate outputs.

A passive emergency mode connects two pairs of input signals directly to each of two mixer outputs. By using a Windows® based application (ProCS™), configuration settings may be changed via a 3.5mm jack, even after installation in the aircraft.

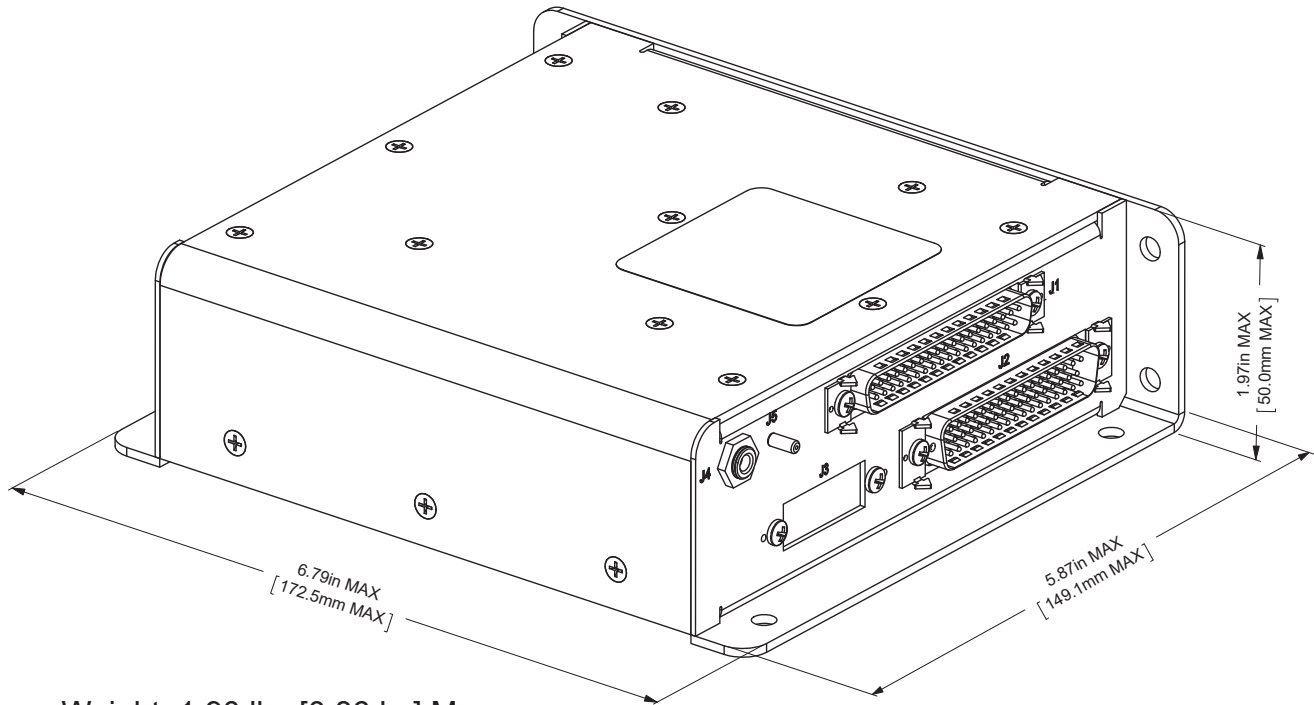
Features

- Two Mixers, each with up to six inputs
- Field configurable settings
- One Mixer with two inputs and two outputs
- Passive Emergency mode operation



JA94-R62A Specifications

Installation



Weight: 1.90 lbs [0.86 kg] Max.

Environment and Performance

Rated Input Level	1 to 10 Vrms for mixer 3 inputs 1 and 2 1 to 10 Vrms for mixer 1 and 2 inputs 1 thru 5 0.25 Vrms for mixer 1 and 2 inputs 6
Rated Output Level, Mixers 1 & 2	8.7 Vrms +/- 10%
Rated Output Level, Mixer 3	2.50 Vrms +/- 10%
Audio Frequency Response	≤ 3dB from 300 to 6000 Hz
Electrical Power	22 to 32.2 Vdc, 1.5A to 0.95A max
Temperature	Operational -45 °C to +70 °C Survival -55 °C to +85 °C
Altitude	50,000 ft. max
Humidity	95%
Shock	6g (any axis)
TSO Compliance	TC CAN-TSO C139
Installation Kit	INST-94R62