



## JA95-x70 Audio Controller with RX Volume Controls

### Data Sheet

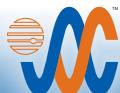


### Description

The JA95-x70 audio controller is a compact, lightweight unit that incorporates the latest technology, and is compatible with the current industry standard interconnect. The unit will support 7 users: pilot, co-pilot and up to 5 passengers. By using a Windows® based application (ProCS™), configuration settings may be changed via a 3.5mm jack on the front panel. Field replaceable illuminated legends (either standard white or NVG compatible) mean that the dealer only needs to stock one version of the controller for many different mission configurations.

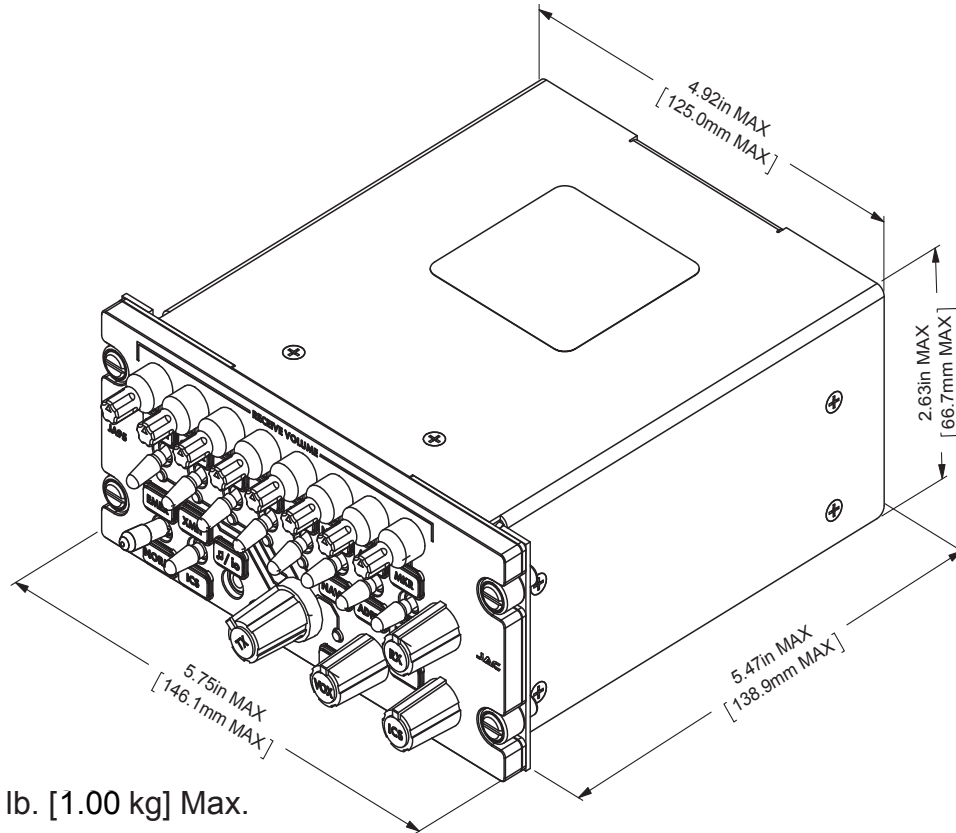
### Features

- Individual Receive audio volume controls
- Up to 7 users
- Field configurable settings
- Field replaceable legends
- Standard white or NVG compatible lighting
- Stuck microphone time-out
- Adjustable output and input levels
- Balanced ICS, CVR, Rx Comp. & transmit mic. outputs
- Adjustable CVR output level
- 3 Configurable audio alert messages
- Front panel music input
- 5, 14 and 28 Vdc lighting voltage selection
- Music muting
- **Built in adapter for Non-Aircraft Radios**
- **Duplex mode transmission for cell phone operation**
- Only 5.48 inches [139mm] depth behind panel (not including connectors)
- Individual mic. gating
- **Tx capability for pilot, co-pilot and 2 passengers**
- Configurable multi-function switch
- Transmit select annunciators
- Connector pins similar with industry standard
- 5 COM radios + PA
- 6 Receivers
- 1 Direct Audio
- RX Mute Input
- 1 Music Input



# JA95-x70 Specifications

## Installation



Weight: 2.20 lb. [1.00 kg] Max.

JA95-070 Standard White Lighting  
 JA95-N70 NVG Compatible Lighting

## Environment and Performance

Transceivers	5 Comm. transceivers + PA
Receiver Input	6 Receivers + 1 Direct, 2 Music Inputs, 1 ICS Tie
Number of Headsets	7 users: Pilot, Co-pilot, 5 passengers
Electrical	Power Lighting
	14 to 28 Vdc @ (1.4 to 0.7A) max <10mA @ 5, 14, 28 Vdc
Headphone	100 mW into 600 ohms
TSO Compliance	TC CAN-TSO C139
DO-160F Env. Cat.	[[C4](D1)(A1)X]BAB[(SBM)(U2FF1)]XXXXXXZ[(ZXX) (BXX)]AZ[ZC][RR]H[A3J33] XXXX
Installation Kit	INST-JA95