



JA95-R03 ICS / Headset Expander Data Sheet

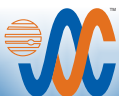


Description

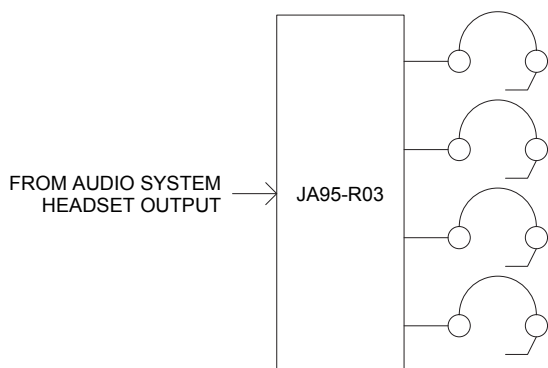
The JA95-R03 audio controller is a compact, lightweight unit that incorporates the latest technology. The unit will expand one headset position to four headsets or will connect 7 headsets to an ICS TIE line. By using a Windows® based application (ProCS™), configuration settings may be changed via a 3.5mm jack, even after installation in the aircraft.

Features

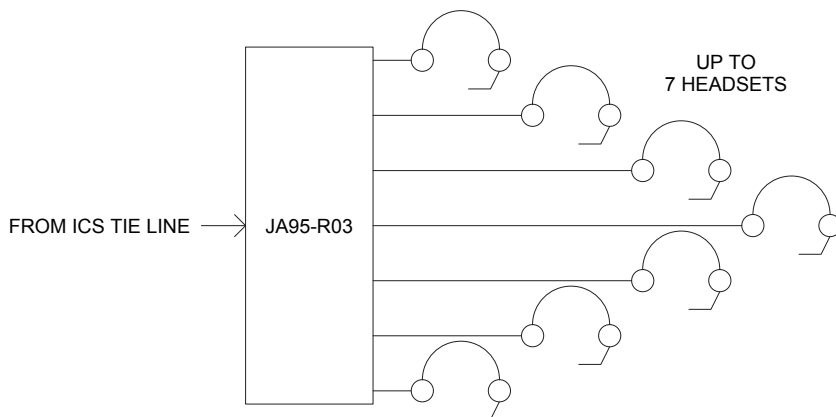
- Up to 7 users
- Field configurable settings
- Stuck microphone time-out
- Adjustable TX mic output and receive input levels
- Balanced ICS, microphone output
- Music muting
- Individual microphone gating
- ICS PTT & TX PTT capability for 4 users
- Direct Audio Input



Headset Expansion

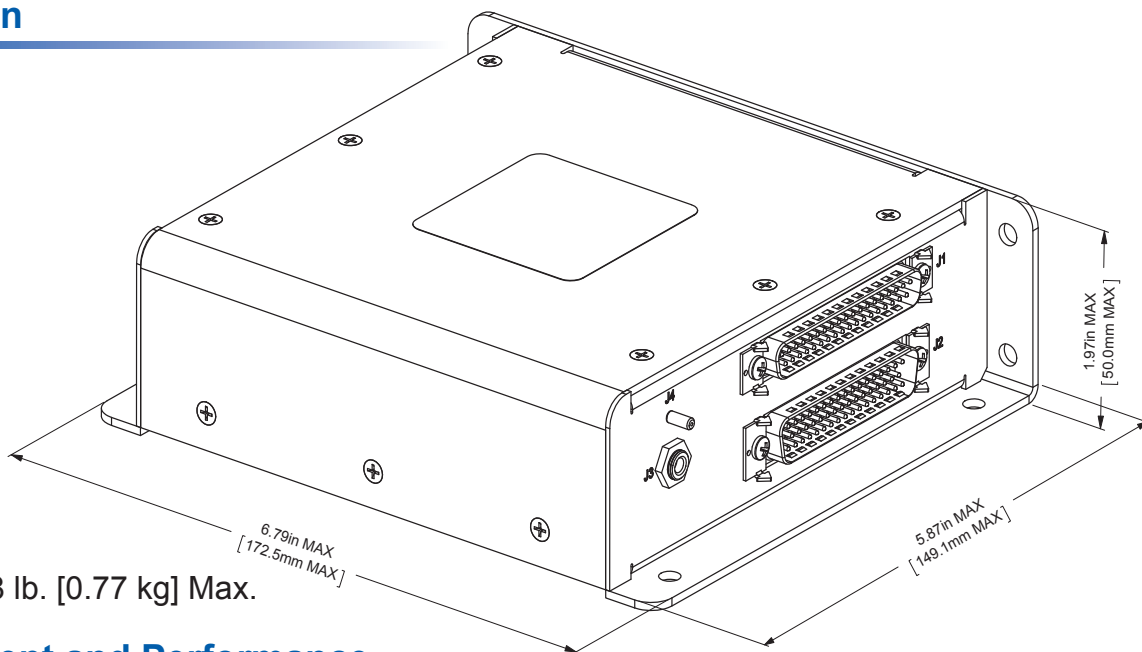


ICS Expansion



JA95-R03 Specifications

Installation



Weight: 1.68 lb. [0.77 kg] Max.

Environment and Performance

ICS TIE	340mV with up to 3 ICS TIE loads or 1.2V with up to 7 ICS TIE loads
Transceivers or Headset Expansion	1 Transceiver or 1 headset
Receiver Input	1 Receiver + 1 Direct, 2 Music Inputs
Number of Headsets	up to 7 users
Electrical Power	14 or 28 Vdc @ (1.4 to 0.7A) max
Temperature Operational Survival	-45 °C to +70 °C -55 °C to +85 °C
Altitude	50,000 ft. max
Humidity	95%
Shock	6g (any axis)
Headphone	100 mW into 600 ohms
TSO Compliance	FAA TSO C139 & TC CAN-TSO C139
DO-160F Env. Cat.	[[C4)(D1)(A1)X]BAB[(SBM)(U2FF1)]XXXXXXZ[(ZXX)(BXX)]AZ[ZC][RR]H[A3J33] XXXX
Installation Kit	INST-JA95