



# JUPITER AVIONICS

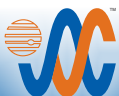
C O R P O R A T I O N

## JB39-001 Low Impedance Headset Adapter Remote Mount Data Sheet



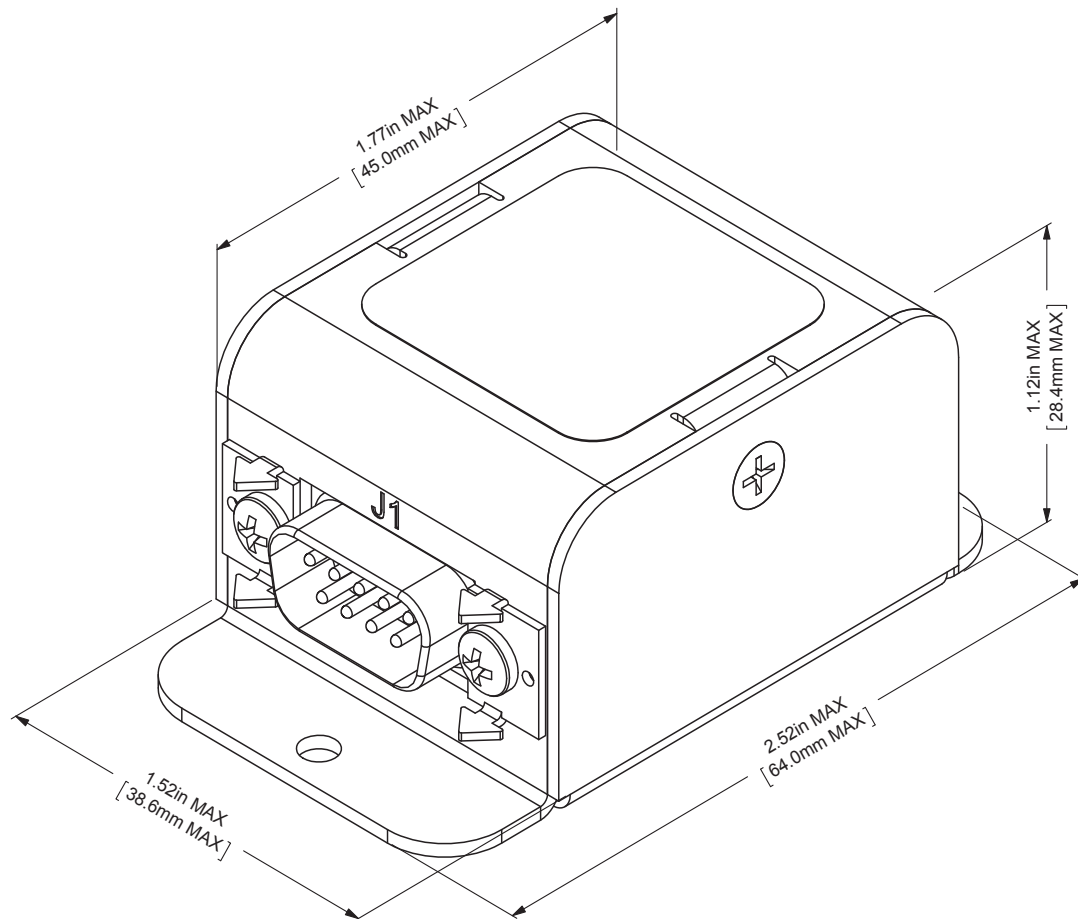
### JB39-001

The JB39 Low Impedance Headset Adapter - allows a low impedance headset (5 Ohm Mic - 8 Ohm Phones) to be used with a regular aviation audio controller like the Jupiter Avionics Corp. JA95-001. The JB39-001 operates using the Mic Bias supply of the audio controller and requires no other external power.



# JB39-001 Specifications

## Dimensions



Weight: TBD lb. TBD g Max

## Environment and Performance

|                       |   |
|-----------------------|---|
| Operating Temperature | -45 °C to +70 °C  |
| Humidity              | 95%   |
| Altitude              | 50,000 ft. MAX  |
| Shock                 | 20g (any axis)  |
| Input                 | 5 Ohm Dynamic Mic and 150 Ohm Phones                          |
| Output                | Equivalent to 150 Ohm Amplified Dynamic Mic and 8 Ohms Phones |
| TSO Compliance        | Contact JAC for TSO status                                    |
| Installation Kit      | INST-JB39   |