



JUPITER AVIONICS

C O R P O R A T I O N

JB39-300 Low Impedance Microphone Adapter 300 Ohm Mic - Remote Mount Data Sheet



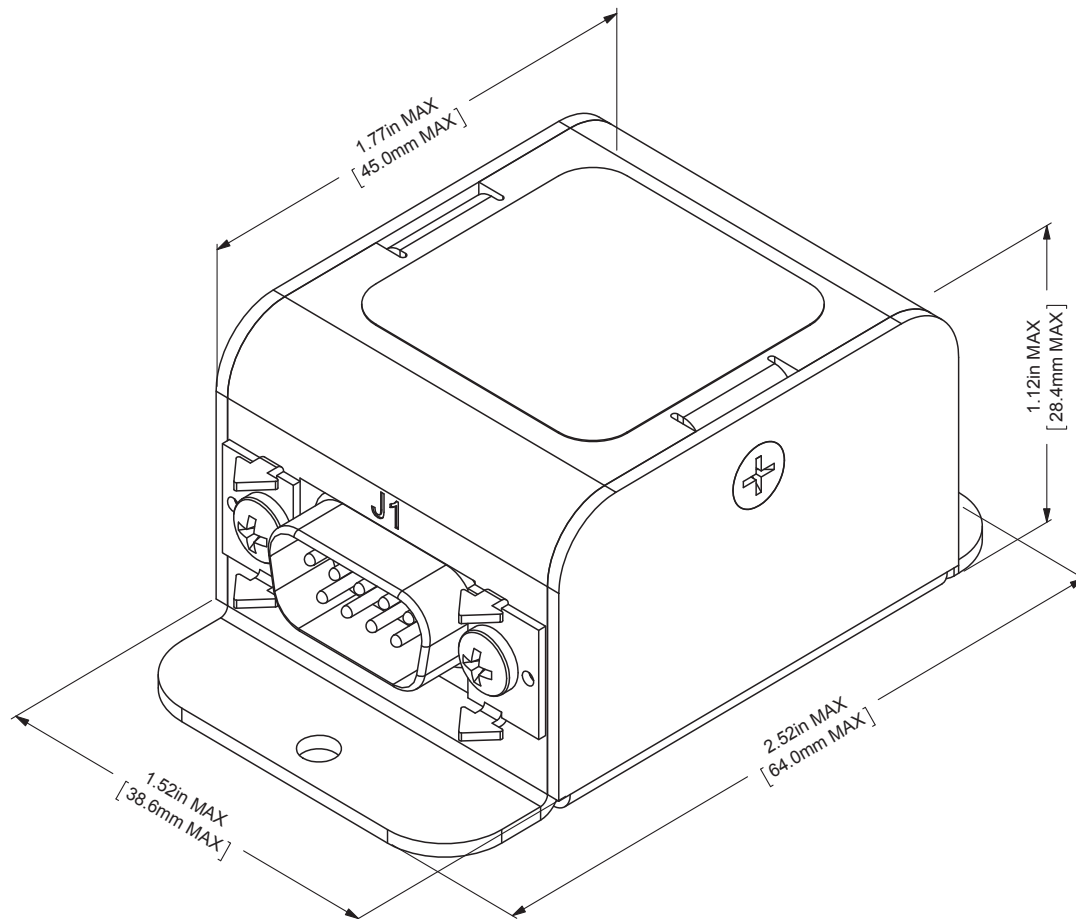
JB39-300

The JB39-300 Low Impedance Microphone Adapter allows a low level 300 Ohm microphone to be used with a regular aviation audio controller like the Jupiter Avionics Corp. JA95-001. The JB39-300 operates using the Mic Bias supply of the audio controller and requires no other external power.



JB39-300 Specifications

Dimensions



Weight: 0.11 lbs. 0.05 kg Max

Environment and Performance

Operating Temperature	-45 °C to +70 °C
Humidity	95%
Altitude	50,000 ft. MAX
Shock	20g (any axis)
Input 300 Ohm Dynamic Mic	250 uV, 115 Ohm
Output to Audio Controller	250 mVrms into 150 Ohm
TSO Compliance	Contact JAC for TSO status
Installation Kit	INST-JB39