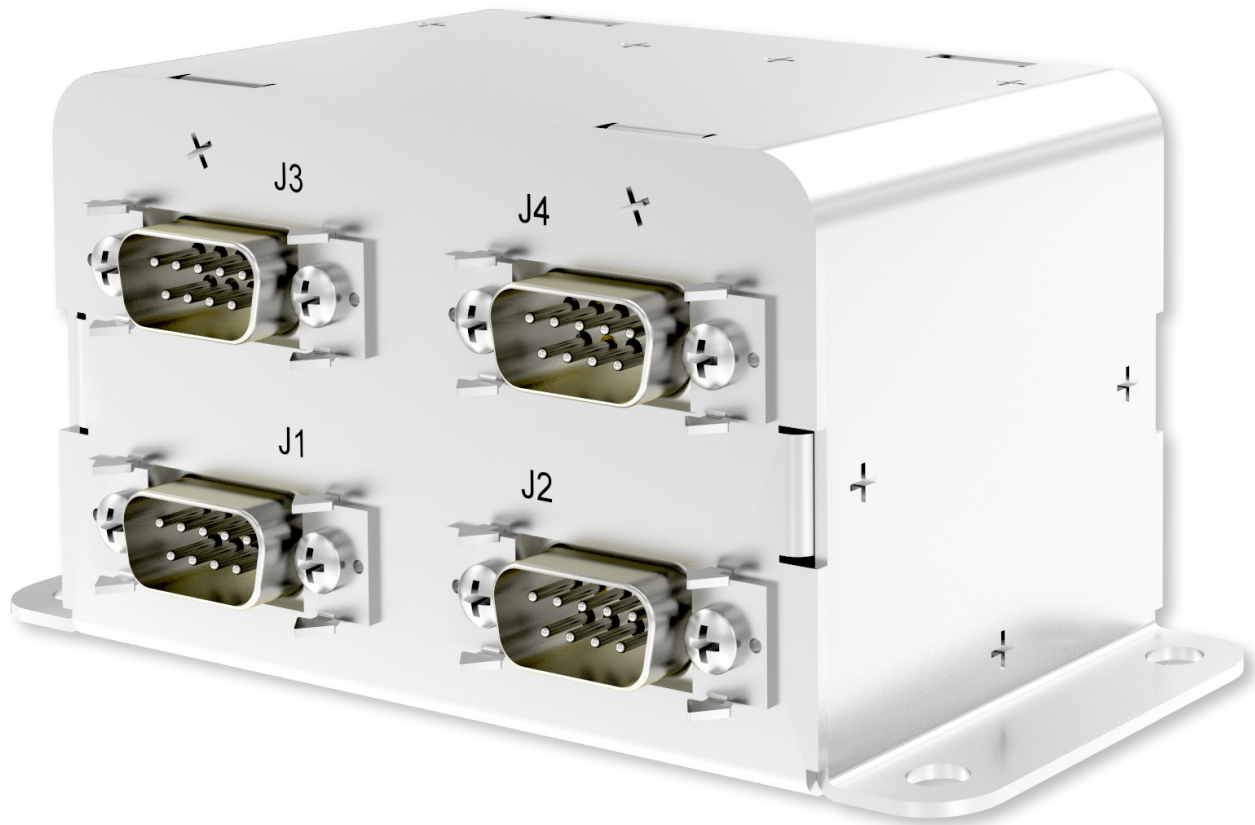




JB39-403 Dynamic Microphone Adapter 4 Channel Data Sheet



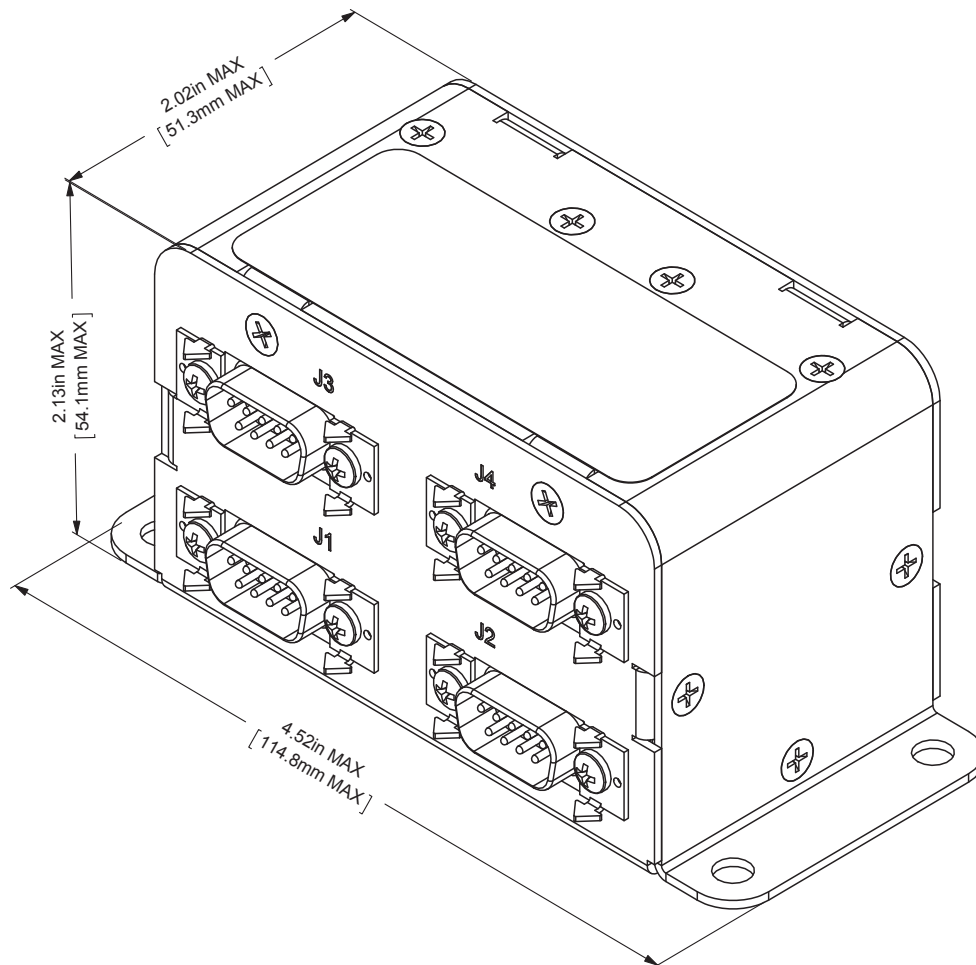
JB39-403

The JB39-403 Dynamic Microphone Adapter - 4 Channel - allows four low impedance mic headsets to be used with a regular aviation audio controller like the Jupiter Avionics Corp. JA95-001. The JB39-403 operates using the Mic Bias supply of the audio controller and requires no other external power.



JB39-403 Specifications

Dimensions



Weight: 0.40 lbs [0.18 kg] MAX

Environment and Performance

Operating Temperature	-45 °C to +70 °C
Humidity	95%
Altitude	50,000 ft. MAX
Shock	20g (any axis)
Input	5 Ohm Dynamic Mic and 150 Ohm Phones
Output	Equivalent to 150 Ohm Amplified Dynamic Mic and 150 Ohms Phones
TSO Compliance	Contact JAC for TSO status
Installation Kit	INST-JB394X