



## UJAC2-001 - Panel Mount USB-C Charger

### Data Sheet



### Description

The UJAC2-001 incorporates a single USB C charging port in a circular housing. The unit is capable of supplying 5 / 9 / 12 / 15 Volts DC at up to 3.0 Amps and 20 Volts DC at 2.25 Amps.

Alternative sizes and styles of Glove Boxes and USB Chargers may be found at [www.jupiteravionics.com/productglovebox.php](http://www.jupiteravionics.com/productglovebox.php)

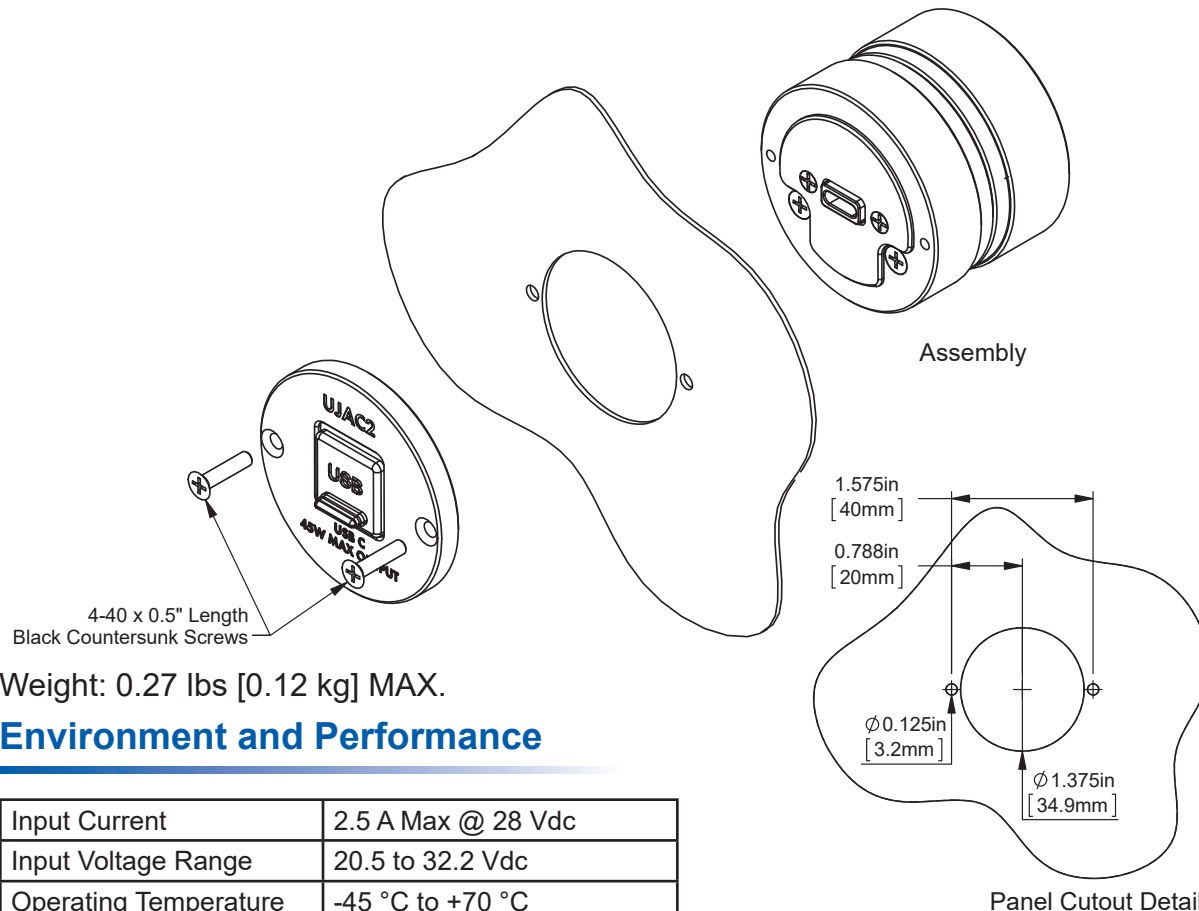
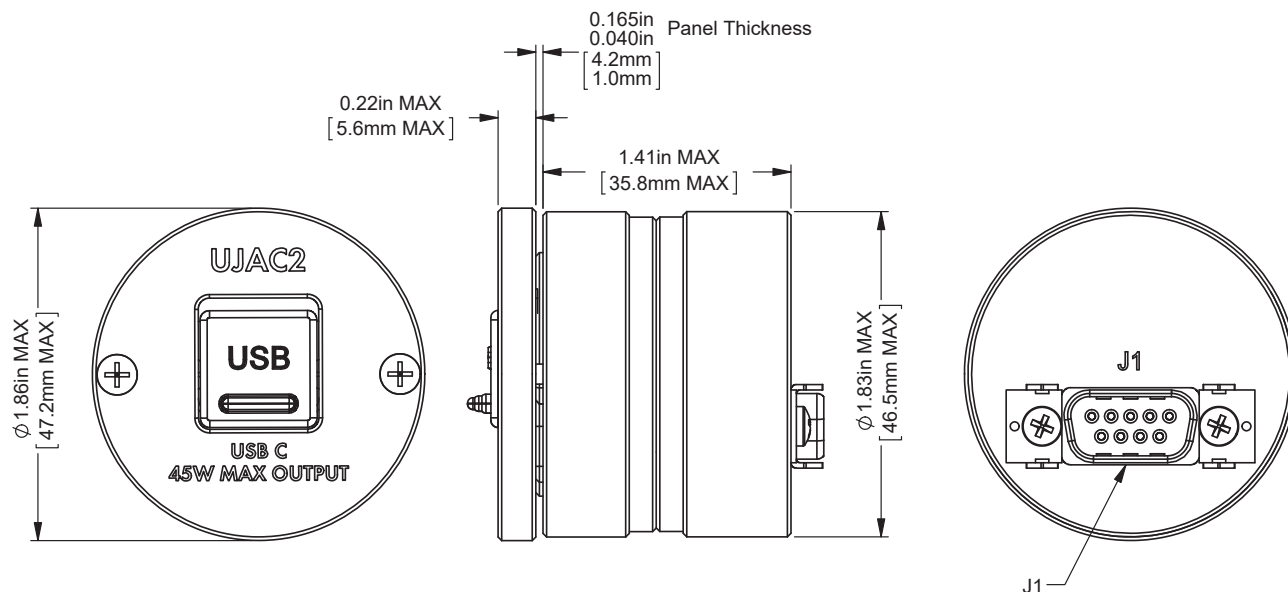
### Features

- The reduced depth behind the panel increases the choice of installation locations
- Circular style makes the panel cutting easy
- Finished with a scratch resistant black urethane paint
- Fitted with dust cover to prevent contact damage



# UJAC2-001 Specifications

## Installation



Weight: 0.27 lbs [0.12 kg] MAX.

## Environment and Performance

Input Current	2.5 A Max @ 28 Vdc
Input Voltage Range	20.5 to 32.2 Vdc
Operating Temperature	-45 °C to +70 °C
Survival Temperature	-55 °C to +85 °C
Altitude	55,000 ft. max
TSO Compliance	Contact JAC for TSO status
Installation Kit	INST-UJAC2