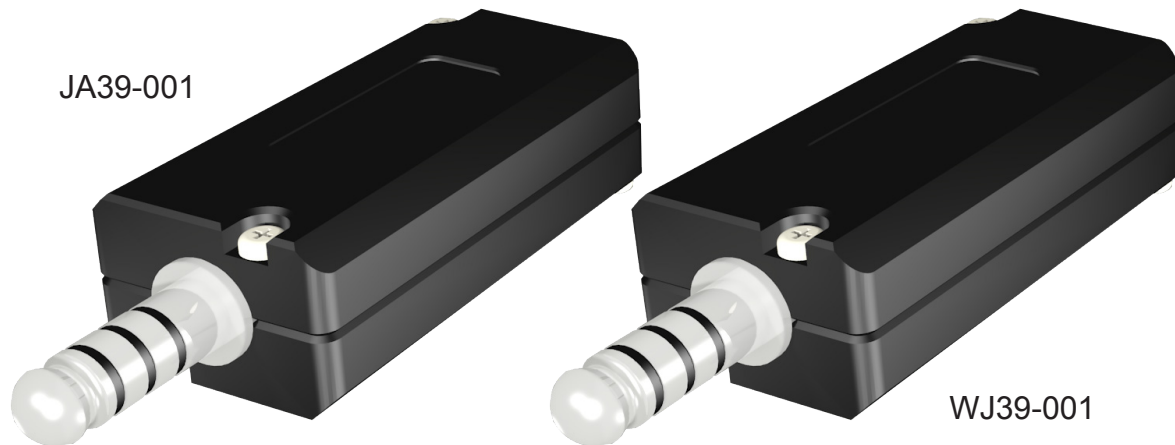




Headset Adapters

Data Sheet



JA39-001

The JA39 Low Impedance Headset Adapter - allows a low impedance headset (5 Ohm Mic - 8 Ohm Phones) to be used with a regular aviation audio controller like the Jupiter Avionics Corp. JA95-001. The JA39-001 operates using the Mic Bias supply of the audio controller and requires no other external power.

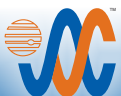
The JA39 unit features an industry standard TJ-120 headset pin-out to allow plug and play operation.

The metalized plastic case construction allows the adapter to be used in high RF environments. It is particularly suitable for adapting 5 ohm headsets for use with the Jupiter wiJAC™ Wireless Aircraft Headset Adapter.

WJ39-001

The High to Low impedance adapter is complementary to the JA39-001 and is used to adapt the wiJAC™ JA61 Intercom Adapter to a low impedance (5 ohm) aircraft audio system.

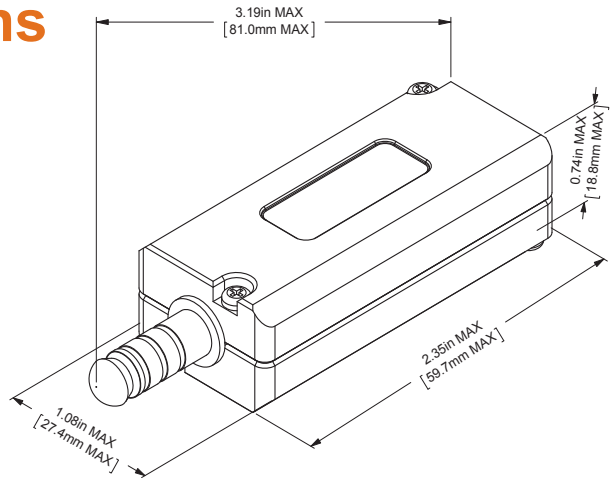
The WJ39-001 unit features an industry standard TJ-120 headset pin-out to allow plug and play operation.



JA39-001 Specifications

Dimensions

Weight: 0.15 lb. 70 g Max



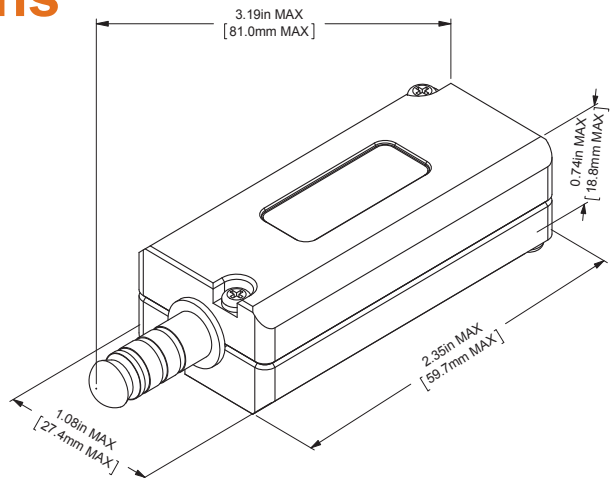
Environment and Performance

Operational Temperature	-40 °C to +50 °C
Humidity	95%
Altitude	25,000 ft. MAX
Shock	20g (any axis)
Input	5 Ohm Dynamic Mic and 150 Ohm Phones
Output	Equivalent to 150 Ohm Amplified Dynamic Mic and 8 Ohms Phones
Case Material	Metalized Plastic

WJ39-001 Specifications

Dimensions

Weight: 0.11 lb. 50 g Max



Environment and Performance

Operational Temperature	-40 °C to +50 °C
Humidity	95%
Altitude	25,000 ft. MAX
Shock	20g (any axis)
Input	Equivalent to 150 Ohm Amplified Dynamic Mic
Output	Equivalent to 5 Ohm Dynamic Mic
Case Material	Metalized Plastic