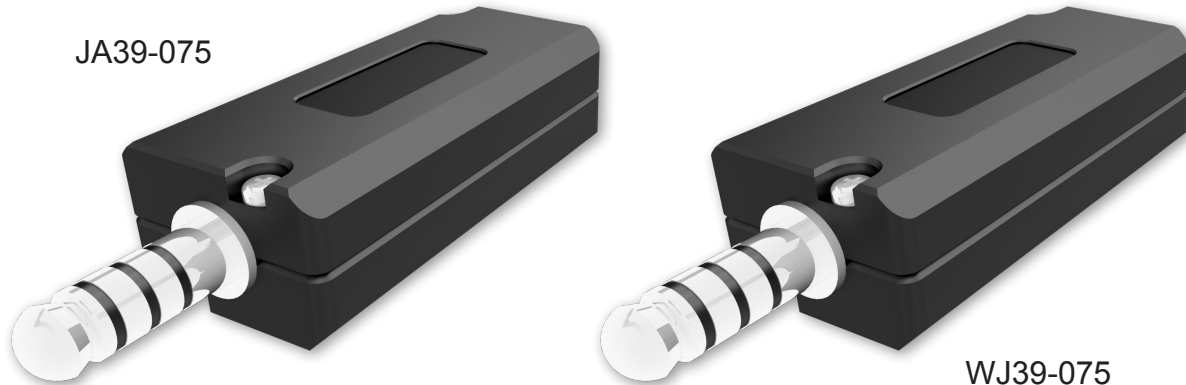




Headset Adapters

Data Sheet



JA39-075

The JA39-075 Low Impedance Headset Adapter allows a low impedance headset (75 Ohm Mic - 150 Ohm Phones) to be used with a regular aviation audio controller such as the Jupiter Avionics Corp. JA95-001. The JA39-075 operates using the Mic Bias supply of the audio controller and requires no other external power.

The JA39-075 unit features an industry standard U-174/U (TP-120) Plug and U-92A/U (TJT-120) Jack to allow plug and play operation.

The metalized plastic case construction allows the adapter to be used in high RF environments. It is particularly suitable for adapting 75 ohm headsets for use with the Jupiter wiJAC™ Wireless Aircraft Headset Adapter.

WJ39-075

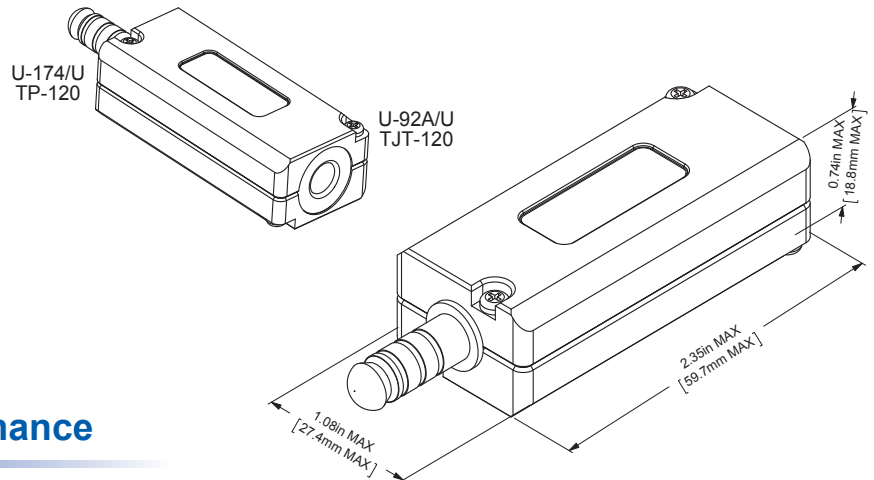
The High to Low impedance adapter is complementary to the JA39-075 and is used to adapt the wiJAC™ JA61 Intercom Adapter to a low mic impedance (75 Ohm) aircraft audio system.

The WJ39-075 unit features an industry standard U-174/U (TP-120) Plug and U-92A/U (TJT-120) Jack to allow plug and play operation.



JA39-075 Specifications

Dimensions



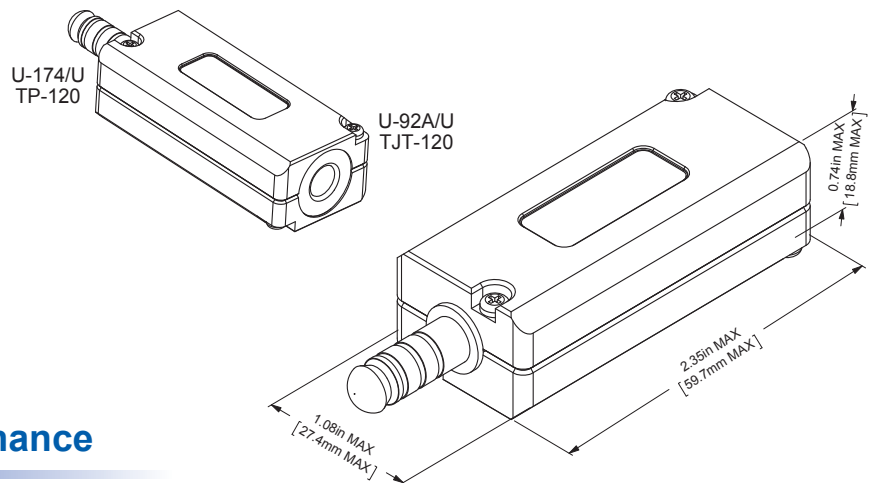
Weight: 0.15 lb. 70 g Max

Environment and Performance

Operational Temperature	-40 °C to +50 °C
Humidity	95%
Altitude	25,000 ft. MAX
Shock	20g (any axis)
Input	75 Ohm Dynamic Mic and 150 Ohm Phones
Output	Equivalent to 150 Ohm Amplified Dynamic Mic and 150 Ohms Phones
Case Material	Metalized Plastic

WJ39-075 Specifications

Dimensions



Weight: 0.11 lb. 50 g Max

Environment and Performance

Operational Temperature	-40 °C to +50 °C
Humidity	95%
Altitude	25,000 ft. MAX
Shock	20g (any axis)
Input	Equivalent to 150 Ohm Amplified Dynamic Mic
Output	Equivalent to 75 Ohm Dynamic Mic
Case Material	Metalized Plastic