



JUPITER AVIONICS
CORPORATION

JA73-001

Tray Mount Glove Box - 3 Inches High



Installation Manual

Rev. A

Jupiter Avionics Corporation
1959 Kirschner Road
Kelowna BC
Canada V1Y 4N7
Tel: +1 778 478 2232
Toll-Free: 1 855 478 2232
www.jupiteravionics.com



Copyright 2017 Jupiter Avionics Corp.

All rights reserved

Jupiter Avionics Corporation (JAC) permits a single copy of this manual to be printed or downloaded for the express use of an installing agency. Any such electronic or printed copy of this manual must contain the complete text of this copyright notice. Any unauthorized commercial distribution of this manual is strictly prohibited. Except as described above, no part of this manual may be reproduced, copied, transmitted, disseminated, downloaded, or stored in any storage medium for any purpose without the express prior written consent of JAC.

IMPORTANT:

Information in this document is subject to change without notice.
To confirm the current revision status of this manual, visit the JAC website:
www.jupiteravionics.com

RECORD OF REVISIONS

Revision	Rev Date	Description	ECR
A	Jun 2017	Initial release, Serial number 1001 and higher.	4473

Prepared: MPB		Checked:		Approved:
----------------------	--	----------	--	-----------



Table of Contents

SECTION 1 - DESCRIPTION	1
1.1 System Overview.....	1
1.2 Features Overview.....	1
1.3 Specifications.....	1
1.3.1 Mechanical Specifications	1
SECTION 2 – INSTALLATION	2
2.1 Introduction	2
2.2 Continued Airworthiness.....	2
2.3 Unpacking and Inspecting Equipment.....	2
2.3.1 Warranty	2
2.4 Installation Procedures	2
2.4.1 Mechanical Installation	2
2.5 Installation Kit	2
2.6 Installation Drawings.....	2
Appendix A - Installation Drawings	A1
A1 Installation Drawings.....	A1



JA73-001 Tray Mount Glove Box - 3 Inches High

SECTION 1 - DESCRIPTION

1.1 System Overview

The JA73-001 Tray Mount Glove Box – 3 Inches High allows the aircraft owner/operator to utilise an unused portion of the instrument panel for temporary storage.

1.2 Features Overview

The JA73-001 interior has a black anodized finish and the front plate has a baked-on flat black urethane paint finish to resist scratches and nicks during use.

The JA73-001 fits a standard 6.25" tray mount space, and has pre-drilled and tapped holes for easy installation.

1.3 Specifications

1.3.1 Mechanical Specifications

Refer to [Mechanical Installation](#) drawing for all dimensions

Height		3.01 in [76.5 mm] maximum
Overall depth		5.30 in [134.6 mm] maximum
Width		6.26 in [159.0 mm] maximum
Storage opening:	Height	2.60 in (66 mm) max
	Width	5.10 in (129.5 mm) max
	Depth	5.20 in (132.1 mm) max
Weight		1.36 lb [0.62 kg] maximum
Material		Black anodized 5052-H32 aluminum
Mounting		8 x 6-32 fasteners
Bonding		≤ 2.5 mΩ
Load capacity		1.0 lb [0.45 kg] maximum
Installation kit part number		N/A



JA73-001 Tray Mount Glove Box - 3 Inches High

SECTION 2 – INSTALLATION

2.1 Introduction

This section contains unpacking and inspection procedures, installation information, and post-installation checks.

2.2 Continued Airworthiness

Maintenance of the JA73-001 is on condition only. Scheduled inspection and/or periodic maintenance of this unit is not required.

2.3 Unpacking and Inspecting Equipment

Unpack the equipment carefully. Check for shipping damage and report any problems to the relevant carrier. Confirm that the Authorized Release Certificate or Certificate of Conformance is included. Complete the on-line warranty card from the Jupiter Avionics Corporation (JAC) website – www.jupiteravionics.com/warranty.

2.3.1 Warranty

This product manufactured by JAC is warranted to be free of defects in workmanship or performance for 2 years from the date of installation by an approved JAC dealer or agency. This warranty covers the cost of all materials and labour to repair or replace the unit, but does not include the cost of transporting the defective unit to and from JAC or its designated warranty repair centre, or of removing and replacing the defective unit in the aircraft. This warranty does not cover failures due to abuse, misuse, accident, or unauthorized alteration or repairs.

Contact JAC for return authorization, and for any questions regarding this warranty and how it applies to your unit(s). JAC is the final arbiter concerning warranty issues.

2.4 Installation Procedures

2.4.1 Mechanical Installation

The JA73-001 can be mounted in any attitude and location with adequate space.

2.5 Installation Kit

N/A

2.6 Installation Drawings

The drawings and documents required for Installation can be found in [Appendix A](#) of this manual.

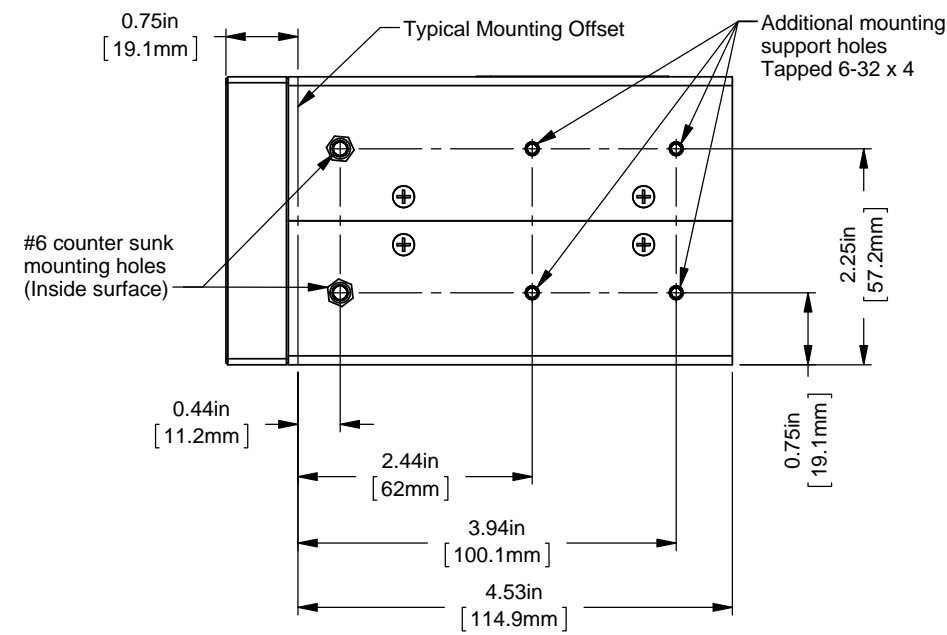
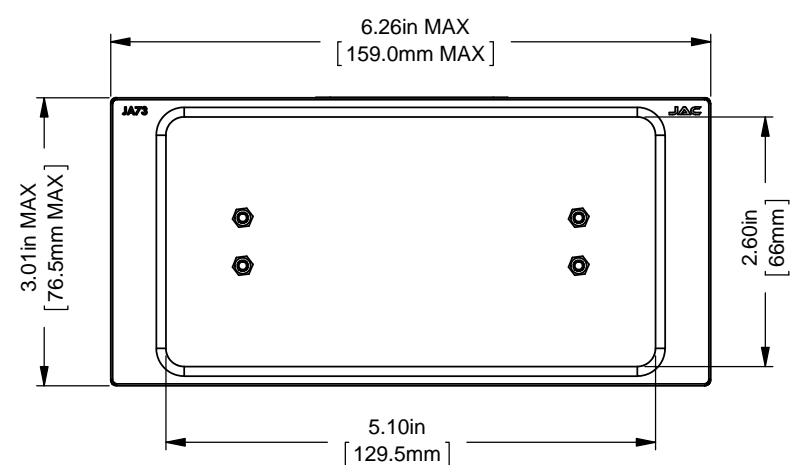
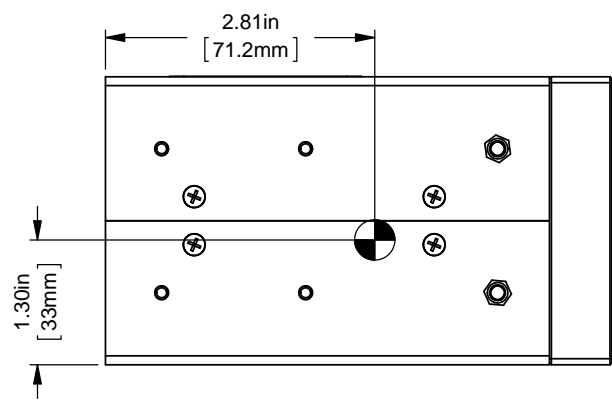
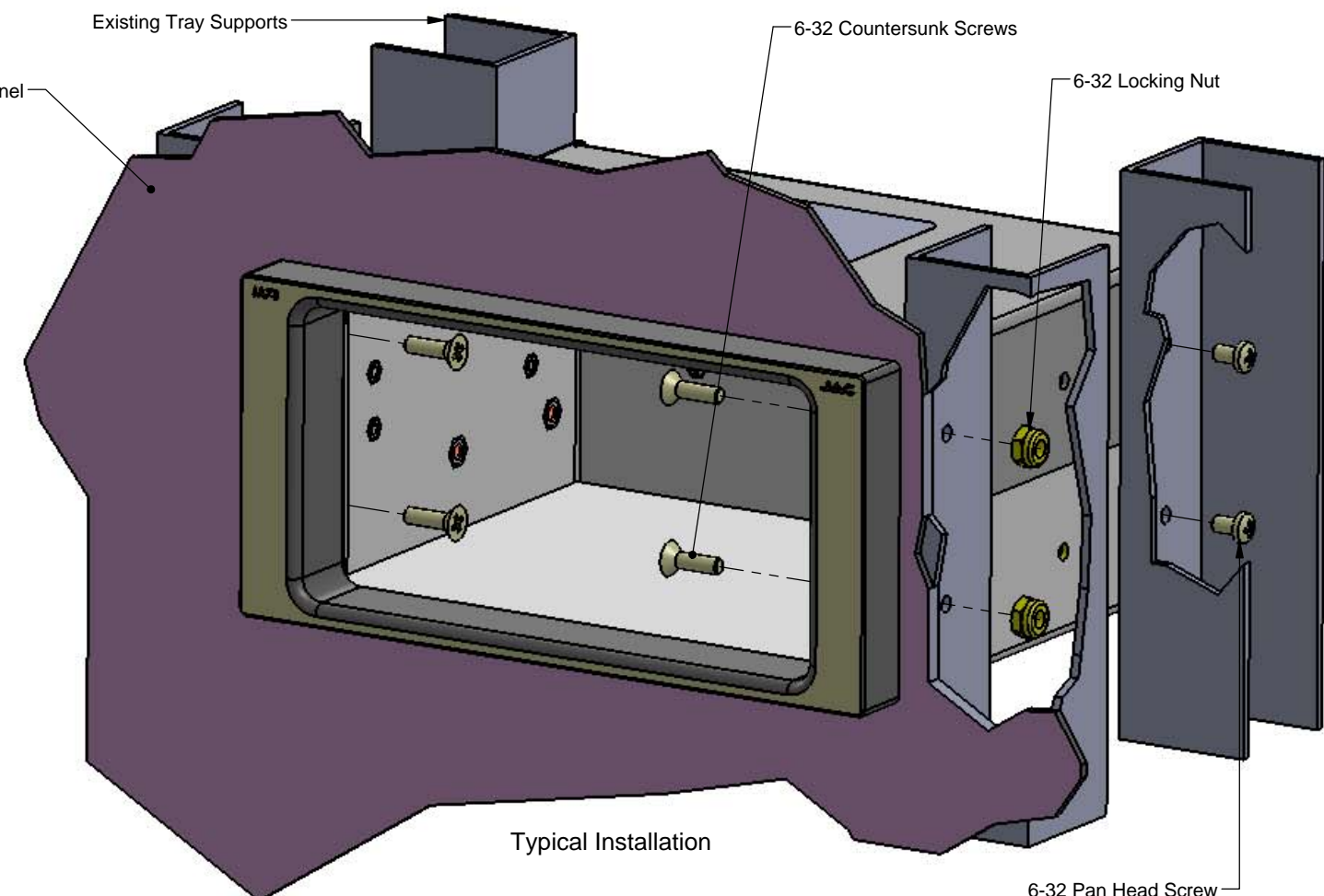
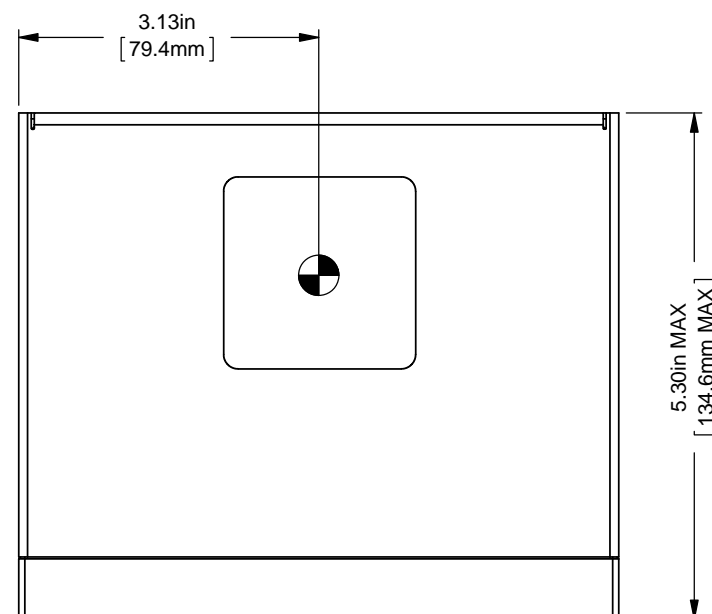



Installation Manual


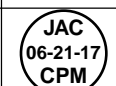


Appendix A - Installation Drawings

A1 Installation Drawings

DOCUMENT	Rev
JA73-001 Mechanical Installation	A



 CENTER OF GRAVITY
 ±0.03in [0.8mm]
 WEIGHT: 1.36 lbs [0.62 kg] MAX.

UNLESS OTHERWISE SPECIFIED DIMENSIONS ARE IN INCHES ANGLES ARE IN DEGREES TOLERANCES: 1 DEC PLACE: ± 0.1 2 DEC PLACE: ± 0.01 3 DEC PLACE: ± 0.005 ANGLES: ± 0.5 DEG	PREPARED	TAT			
	CHECKED				TITLE Tray Mount Glove Box - 3 Inches High
	APPROVED		NCAGE CODE L00N3	PART NO. JA73-001	SHEET 1/1
MATERIAL: N/A	CONFIDENTIAL & PROPRIETARY TO JUPITER AVIONICS CORP.		DOC. NO. JA73-001 Mechanical Installation Rev A.SLDDRW		
FINISH: N/A	DRAWING NOT TO SCALE				