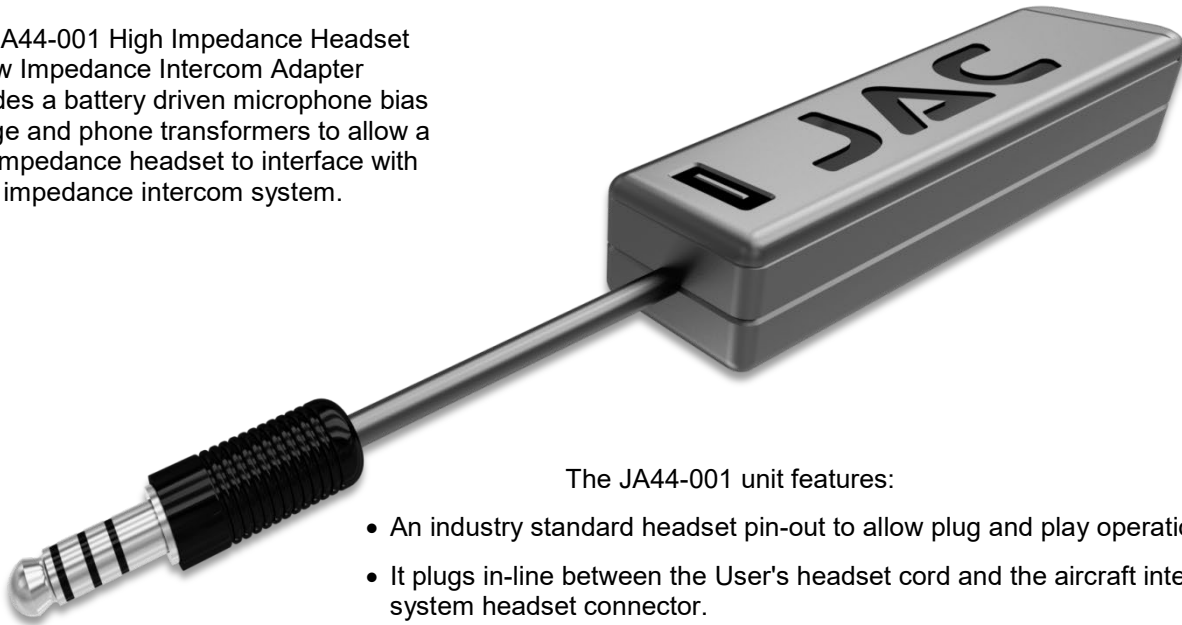


JA44-001 High Impedance Headset to Low Impedance Intercom Adapter

Quick Start Guide

The JA44-001 High Impedance Headset to Low Impedance Intercom Adapter provides a battery driven microphone bias voltage and phone transformers to allow a high impedance headset to interface with a low impedance intercom system.



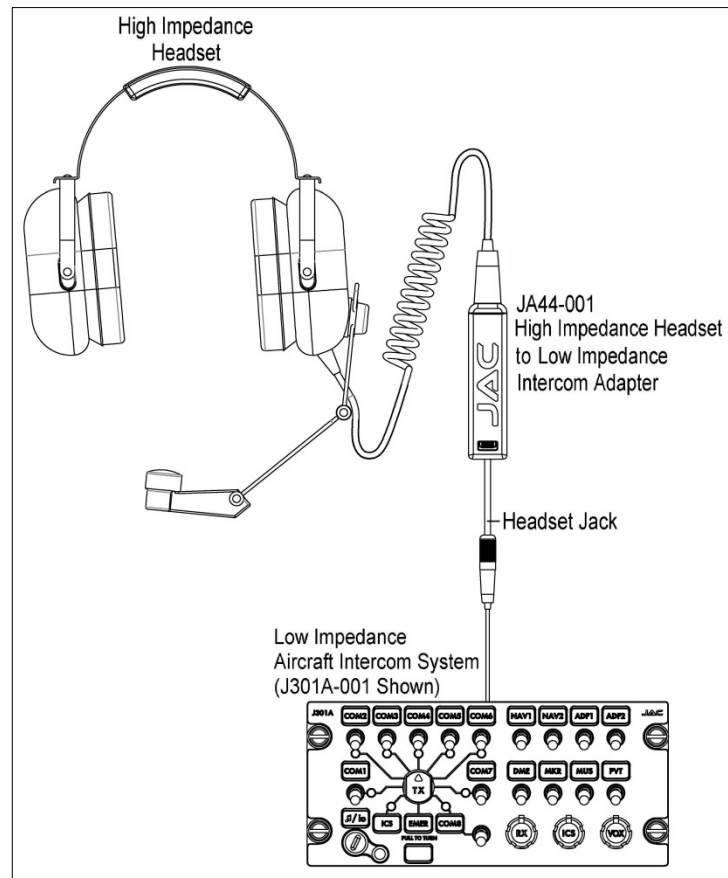
The JA44-001 unit features:

- An industry standard headset pin-out to allow plug and play operation.
- It plugs in-line between the User's headset cord and the aircraft intercom system headset connector.
- It supports a single control to adjust microphone level to intercom system.
- It supports automatic on / off power function when user plugs / unplugs the headset from the unit.

Installation Diagram

The diagram shows the installation for the JA44-001.

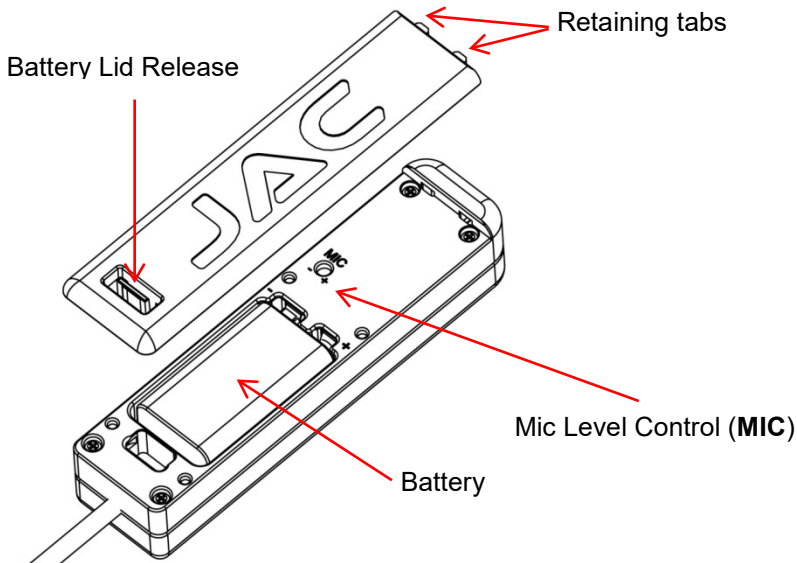
For full information, refer to the JA44-001 manual on the Jupiter Avionics Website at www.jupiteravionics.com



Batteries

The JA44-001 uses one nine volt alkaline battery.

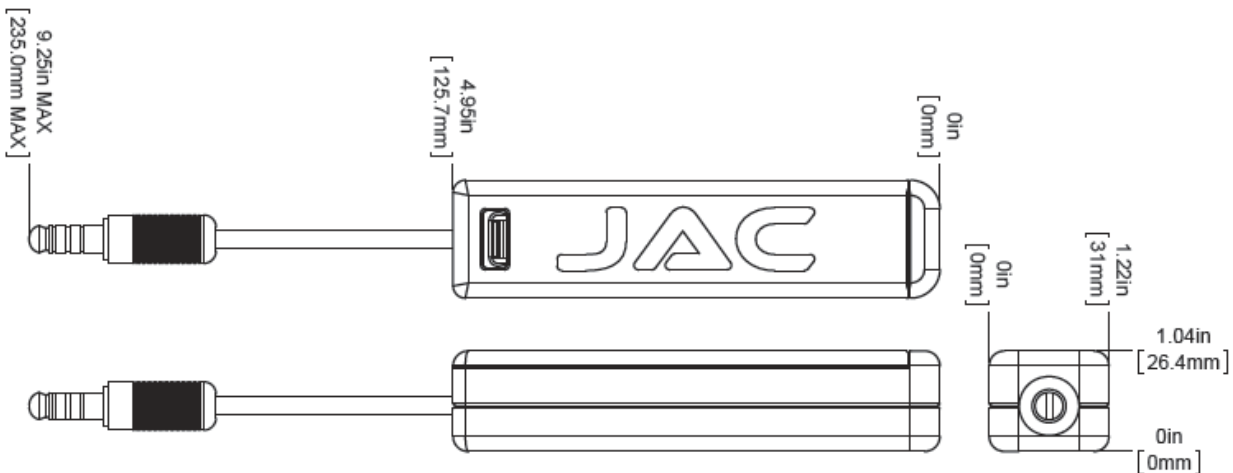
Inserting or Replacing the Battery



To replace the battery, remove the battery cover by pressing the battery lid release towards the JAC logo, lifting the lower end of the cover, and then gently prying the lid up and away from the body to release the two tabs from the retaining slots.

Remove the battery and insert a new battery, matching the polarity marked on the battery holder.

Specifications



Weight: 0.32 lbs [0.15 Kg] MAX. with batteries

Operational Temperature	-20 to +50 °C
Humidity	95%
Altitude	25,000 ft. MAX
Shock	20g (any axis)
Mic Input	Equivalent to 150 Ohm Amplified Dynamic Mic (250 mVrms)
Mic Output	Equivalent to 5 Ohm Dynamic Mic (250 uVrms)
Phone Input	8 Ohm (0.9 Vrms) 100mW
Phone Output	150 Ohm (4.4 Vrms) 125mW
Power	9V Battery